

§Small-sized plug-in transducer§

2-output type

Isolator

FWTT

Application

Insulates various kinds of DC signals and converts them into a unified intersystem signal. With input and output insulated, the product offers full advantages in transmitting insulated signals between measuring systems, cutoff of noise, protecting a control circuit from a sneak current, and transmitting an output signal directly to a distant place. Because this transducer can extract two insulated outputs, control and monitor can be done by a single unit.

Up to 16 units can be housed in an installation base.

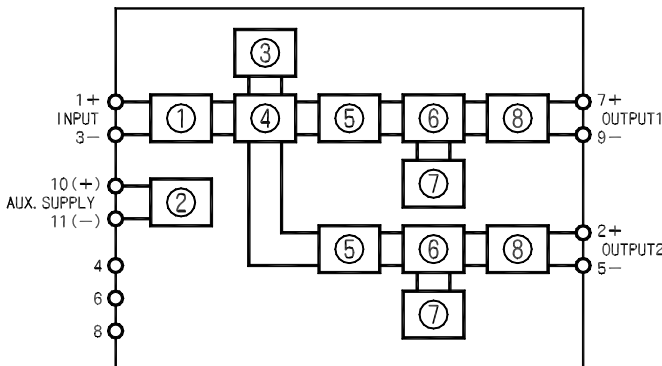


29.5 × 76 × 125mm/180g

Feature

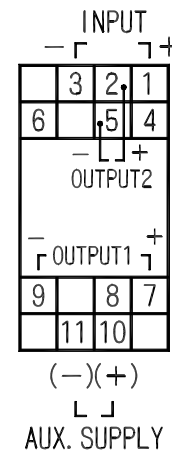
1. Compact and high withstand voltage.
2. Withstand voltage between input/output/auxiliary supply/outer case is AC2, 000V (50/60Hz) for 1 min..
3. Withstand voltage between outputs is AC500V (50/60Hz) for 1 min..
4. Constant voltage/current output type. No need to adjust the product if it operates within load resistance range.
5. A LED can confirm status of electric power applied.
6. Zero/span of 1st and 2nd output can be adjusted individually. (±2% adjustable)

Block Diagram



Input filter Insulated power source circuit
 Oscillating circuit Pulse width modulation circuit
 Photo coupler insulation
 Pulse width demodulation circuit
 Reference voltage Output circuit

Connection diagram (socket)



UR-2 precise resistance unit (Selling separately)

Please use a UR-2 combined with an isolator of voltage input. When changing the isolator in a hot line state at the time of current input, if measures against open are necessary, connect UR-2 to socket and convert it into a voltage signal before using it. (UR-2, resistance to be specified) (Specify any one of 10Ω, 50Ω, 62.5Ω, 100Ω, 250Ω, 500Ω, 1kΩ)

§Small-sized plug-in transducer§

2-output type

Isolator

Specification

How to specify

Type name
FWTT

Specification code

□ □ □ □ □ 0

Input (input resistant)	1 st Output (load resistant)	2 nd Output (load resistant)	Auxiliary supply	Power fuse	Common specification
0A2 :DC0-50mV (approx.1M)	1 :DC0-100mV (200)	1 :DC0-100mV (200)	1 : AC/DC80-264V Rated Voltage AC100/110V 50/60Hz AC200/220V 50/60Hz DC100/110V	1 :without fuse 2 :with fuse	Conversion accuracy: ± 0.1% Temperature characteristics: 0.2%/10 Response time: 0.1s/90% Consumption VA: At AC110V: 3.5VA At AC220V: 4.5VA At DC110V:2.0W At DC24V: 2.5W CE marking At DC24V: 2.8W Weight: Without socket: approx.130g With socket: approx.180g
0A3 :DC0-60mV (approx.1M)	2 :DC0-1V (200)	2 :DC0-1V (200)	2 :DC24V (DC19-30V) A :DC24V (DC19-30V) CE marking *3		
0A4 :DC0-100mV (approx.1M)	3 :DC0-5V (600)	3 :DC0-5V (1k)			
0A5 :DC0-1V (approx.1M)	4 :DC0-10V (2k)	5 :DC1-5V (1k)			
0A6 :DC0-5V (approx.1M)	5 :DC1-5V (600)	6 :DC ± 5V (1k) *1			
0A7 :DC0-10V (approx.1M)	6 :DC ± 5V (1k) *1	A :DC0-1mA (7k)			
0A8 :DC1-5V (approx.1M)	7 :DC ± 10V (2k) *1	B :DC0-5mA (1.4k)			
0B2 :DC ± 50mV (approx.1M)	A :DC0-1mA (10k)	C :DC0-10mA (1k)			
0B3 :DC ± 60mV (approx.1M)	B :DC0-5mA (2k)	D :DC0-16mA (600)			
0B4 :DC ± 100mV (approx.1M)	C :DC0-10mA (1k)	E :DC1-5mA (3k)			
0B5 :DC ± 1V (approx.1M)	D :DC0-16mA (600)	F :DC4-20mA (750)			
0B6 :DC ± 5V (approx.1M)	E :DC1-5mA (3k)	G :DC ± 1mA (10k) *1			
0B7 :DC ± 10V (approx.1M)	F :DC4-20mA (750)	H :DC ± 5mA (2k) *1			
*1	G :DC ± 1mA (10k) *1	I :DC ± 5mA (2k) *1			
0C3 :DC0-1mA (approx.100)	H :DC ± 5mA (2k) *1	Z :other than those above *2 (See product range)			
0C4 :DC0-5mA (approx.100)	I :DC ± 5mA (2k) *1				
0C5 :DC0-10mA (approx.100)	Z :other than those above *2 (See product range)				
0C6 :DC0-16mA (approx.100)					
0C7 :DC4-20mA (approx.100)					
0D4 :DC ± 1mA (approx.100)					
0D5 :DC ± 5mA (approx.100)					
0D6 :DC ± 10mA (approx.100)					
*1					
ZZZ : other than those above *2 (See product range)					

*1 Plus/minus output is the standard for plus/minus input.

*2 Consult with us for specification other than those indicated in the table above.

Product Range (including special handling)

Input	1 st output	2 nd output
Current input : 10 μA-50mA Voltage input : 10mV-300V	Current output: -5mA-20mA Voltage output: -10V-10V	Current output: -5mA-20mA Voltage output: -10V-10V

Current input: conversion accuracy, temperature characteristics and suchlike of an input more than 10μA but less than 499μA are different from standards.

Voltage input: conversion accuracy, temperature characteristics and suchlike of an input more than 10mV but less than 49mV are different from standards.

2nd output: output more than 5.1V but less than 10V is subject to special handling. (Load current 2mA)

*3 CE marking compliant specifications

EMC compliant specifications

EMI (emission) EN61000-6-4
EMS (immunity) EN61000-6-2

Safety standard

EN61010-1
CAT (max. Circuit voltage 300V), Pollution degree: 2