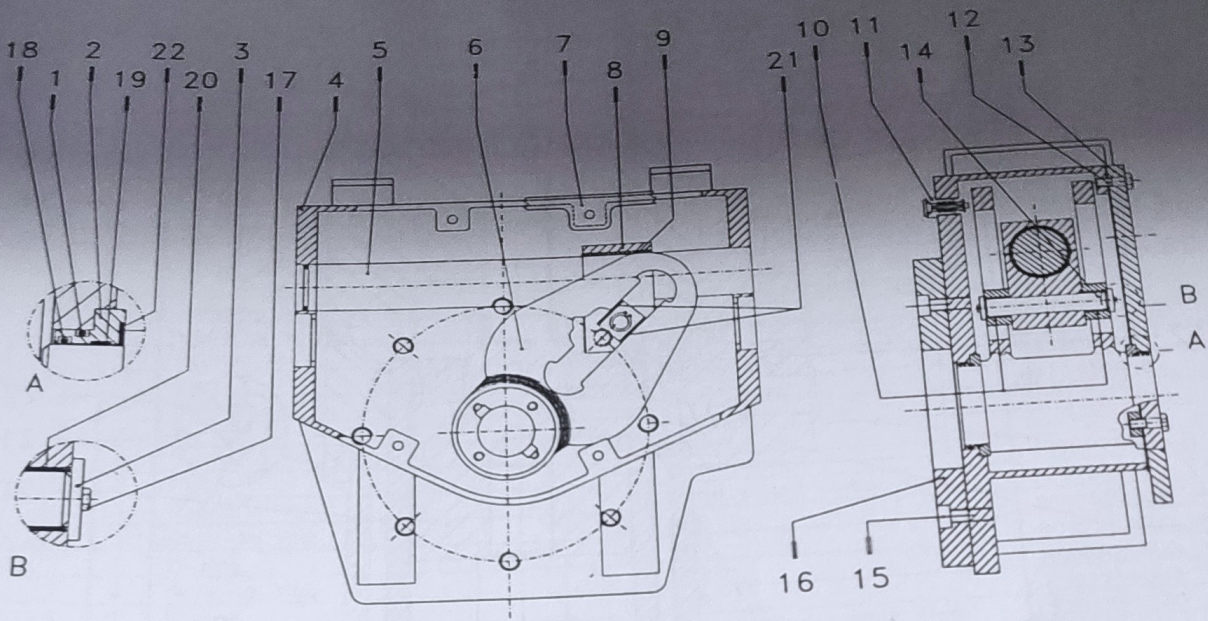




SCOTCH YOKE MECHANISM  
Code : 229F00S004

PARTS LIST  
TABLE N° .....



ITEM	Q.ty	DESCRIPTION	MATERIAL	PART N°
1	2	O - ring	NBR	8092152000 ●
2	2	Yoke bushing seat	Carbon steel	329A003911
3	2	Washer	Carbon steel	329A003922
4	1	Housing	Carbon steel	329A003001
5	1	Guide bar	Alloy steel	329A003008
6	1	Yoke	Carbon steel	329A003850
7	1	Cover gasket	Fiber	329A003009 ●
8	1	Guide block	Carbon steel	329A003005
9	1	Bushing	Steel + Fiberglide	8810389180
10	2	Sliding block	Alloy steel	329A003908
11	1	Vent valve	Stainless steel	4272690150 ●
12	12	Screw	Carbon steel	8031160000
13	1	Cover	Carbon steel	329A003010
14	1	Guide block pin	Alloy steel	329A003923
15	4	Screw	Carbon steel	8055512000
16	1	Adaptor flange	Carbon steel	3V1F220047
17	2	Screw	Stainless steel	329A003921
18	2	O - ring	NBR	8092043000 ●
19	2	Yoke bushing	Steel + Fiberglide	329A003905
20	2	Guide block pin bushing	Steel + Fiberglide	8810389100
21	4	Sliding block seat	Steel + Fiberglide	329A003909
22	2	Yoke support washer	Ertacetal	329A003910

● RECOMMENDED SPARE PARTS

- SPARE PARTS KIT CODE : G0229F00S004 -

REV.: 1  
DATE: 20/09/05