

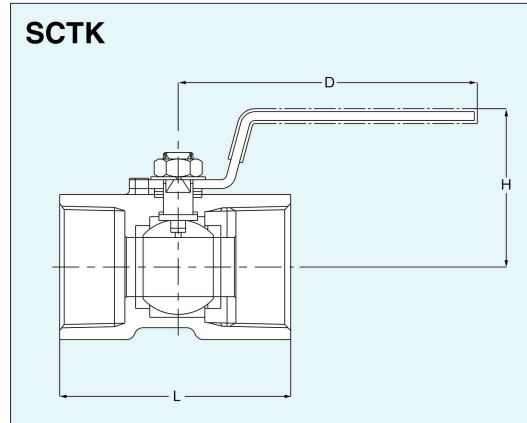
Floating Ball Valves (Threaded or Solder Joint)

Type 600 Carbon Steel Ball Valves

Reduced bore, Uni-body design, Threaded ends

Features

- Blowout-proof stem
- Choice of threaded ends:
 - Rc threads to JIS B0203 (BS 21) (Fig. SCTK)
 - NPT threads to ASME B1.20.1 (Fig. AKSCTK)



Dimensions of SCTK

Nominal Size	NPS	DN	Unit: mm							
			1/4	3/8	1/2	3/4	1	1 1/4	1 1/2	2
Ball bore			4.5	6.8	9.2	12.5	16	20	24.5	32
L			39	44	56.5	59	71	78	83	100
H			31	36	41	44	48	54	65	72
D			60	70	85	85	100	100	125	125

Page 114 for Pressure-Temperature Ratings.

Standard Materials

Parts	Materials
Body	WCB
Ball	316 or 304* ¹
Stem	316 or 304* ²
Ball seat	Glass filled PTFE
Gland packing	Glass filled PTFE
Handle	Plastic covered S.S.

* 1 304 for NPS 1/2 and larger
* 2 304 for NPS 3/4 and larger

End to end dimensions: KITZ standard

Valve operator

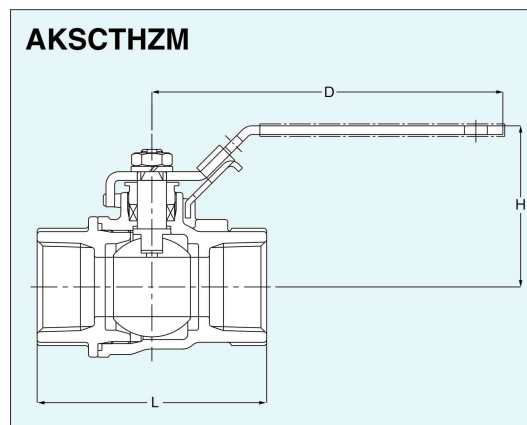
Lever operation
T-type handle as option (NPS 3/4 and larger)

Type 1500/2000 Carbon Steel Ball Valves

Reduced bore, Split body design, Threaded ends

Features

- Blowout-proof stem
- API 607 fire-safe type as option
- NPT threaded ends to ASME B1.20.1



Dimensions of AKSCTHBM

Nominal Size	NPS	DN	Unit: mm							
			1/4	3/8	1/2	3/4	1	1 1/4	1 1/2	2
Ball bore			9.5	9.5	10	15	20	25	32	40
L			53	53	62	72	85	94	107	120
H			50.5	50.5	58.5	63	63.5	67.5	83	91
D			100	100	115	115	135	135	155	190

Page 115 for Pressure-Temperature Ratings.

Standard Materials

Parts	Materials
Body	WCB
Body cap	WCB
Ball	316
Stem	316
Seat	HYPATITE® PTFE
Gland packing	PTFE*
Gasket	PTFE*
Handle	Plastic covered C.S.

* API 607 fire-safe flexible graphite is optionally available.

End to end dimensions: KITZ standard

Valve operator

Lever operation with latch lock
Oval handle as option