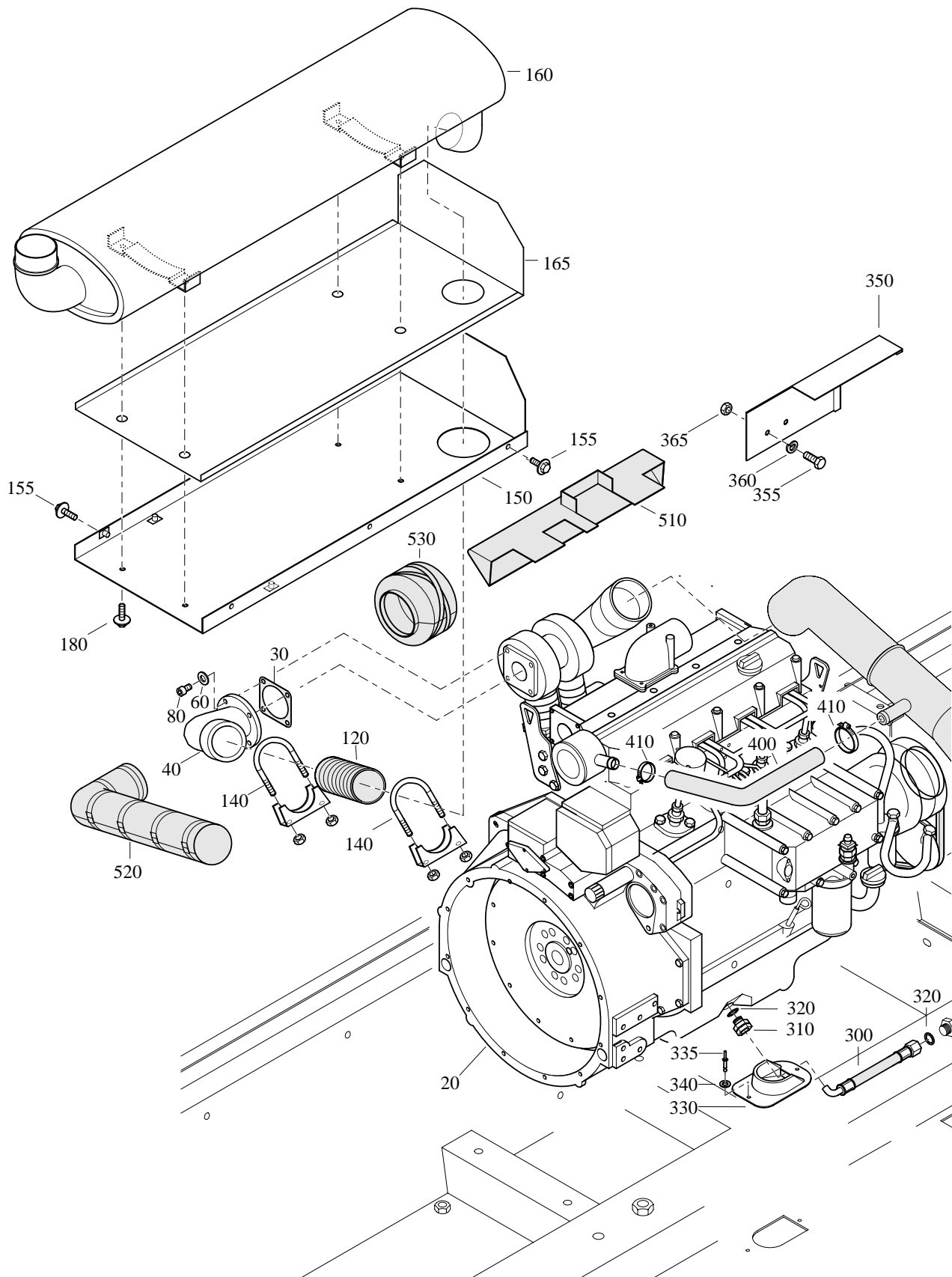


STANDARD



ENGINE & ACCESSORIES  
 MOTOR EN TOEBEHOREN  
 MOTEUR ET ACCESSOIRES  
 MOTOR & ZUBEHÖR  
 MOTOR Y ACCESORIOS  
 MOTOR OCH TILLBEHÖR

**STANDARD**

MOTORE ED ACCESSORI  
 MOTOR & TILBEHØR  
 MOTOR & TILBEHØR  
 ΚΙΝΗΤΗΡΑΣ ΚΑΙ ΕΞΑΡΤΗΜΑΤΑ  
 MOTOR & ACCESÓRIOS  
 MOOTTORI JA VARUSTEET

REF	PART NUMBER	DESIGNATION	QTY	REF	PART NUMBER	DESIGNATION	QTY
20	1604 0924 02	ENGINE <sup>1)</sup>	1				
30	1604 1238 00	GASKET	1				
40	1604 0927 00	EXHAUST ELBOW	1				
60	0301 2335 00	PLAIN WASHER	4				
80	0211 1325 03	HEX SOCK. SCREW	4				
120	1604 0274 01	EXHAUST PIPE	1				
140	0346 2900 07	PIPE CLAMP	2				
150	1604 0277 00	PLATE	1				
155	1615 5664 00	SCRAPER BOLT	6				
160	1604 0275 01	SILENCER	1				
165	1604 0280 00	INSULATION	1				
180	1615 5664 00	SCRAPER BOLT	4				
300	1604 1505 00	HOSE ASSY	1				
310	0580 0014 55	STRAIGHT PIPE-COUPLING	1				
320	0653 1115 00	FLAT GASKET	2				
330	1615 8785 00	PROTECTION	1				
335	0129 3174 01	BLIND RIVET	2				
340	0301 2318 00	PLAIN WASHER	2				
350	1604 1578 00	PROTECTION	1				
355	0147 1323 03	HEX. HEAD SCREW	2				
360	0333 3227 00	LOCK WASHER	2				
365	0266 2110 00	HEXAGON NUT	2				
400	0070 6002 27	PLASTIC TUBE	AR				
410	0347 6108 00	HOSE CLAMP	2				
510	1604 1507 00	HEAT BLANKET	1				
520	1604 1508 00	HEAT BLANKET	1				
530	1604 1509 00	HEAT BLANKET	1				

<sup>1)</sup> SEE ALSO PAGE 422 AND 367 for Service Parts