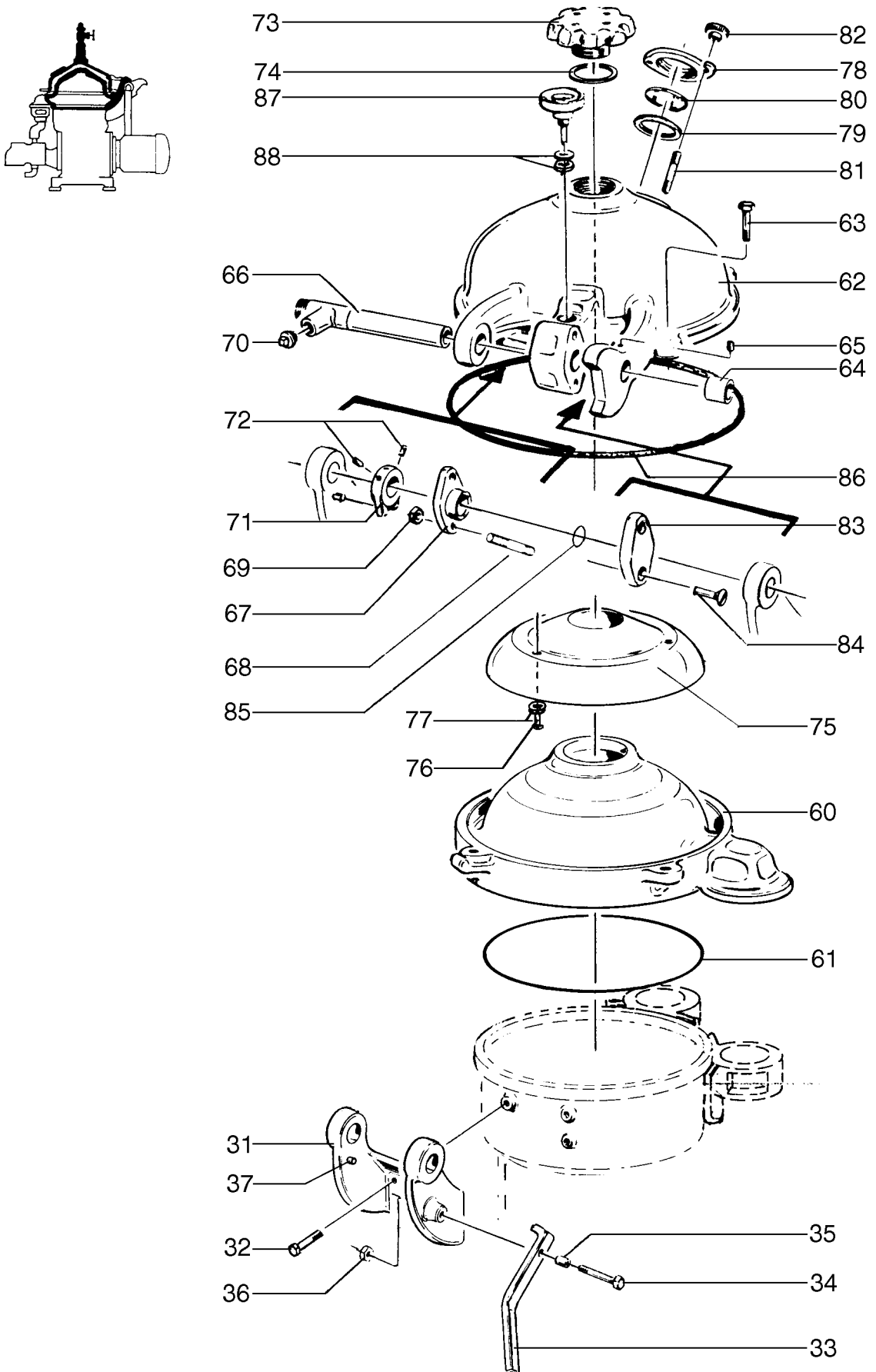
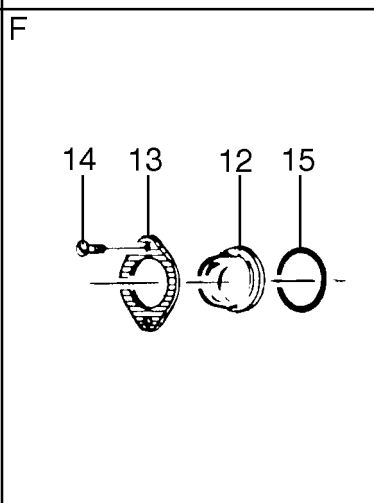
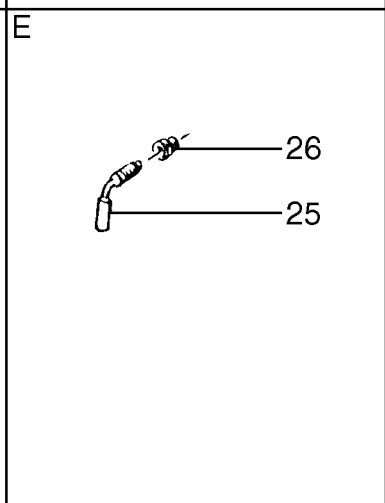
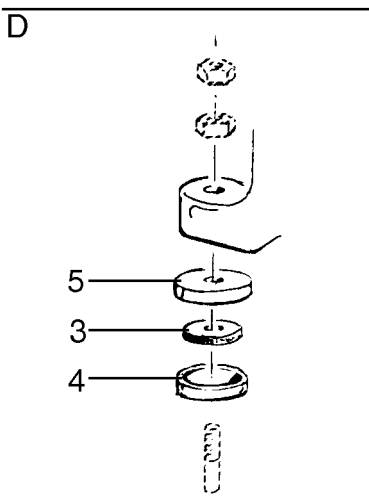
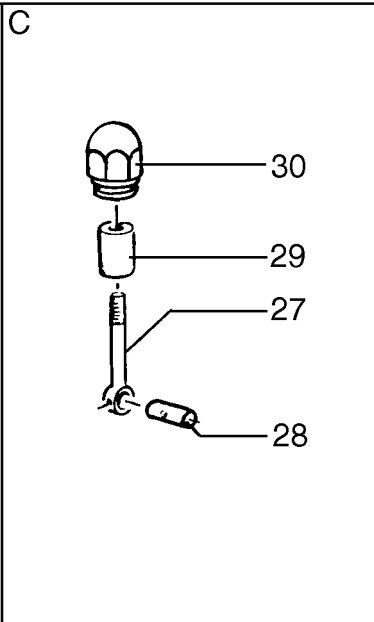
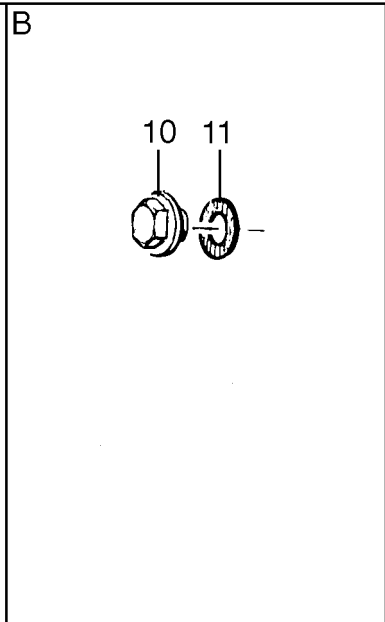
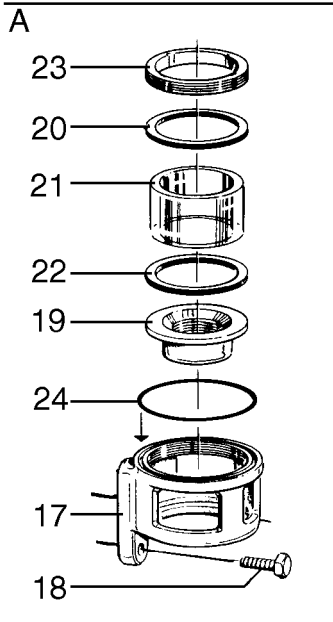
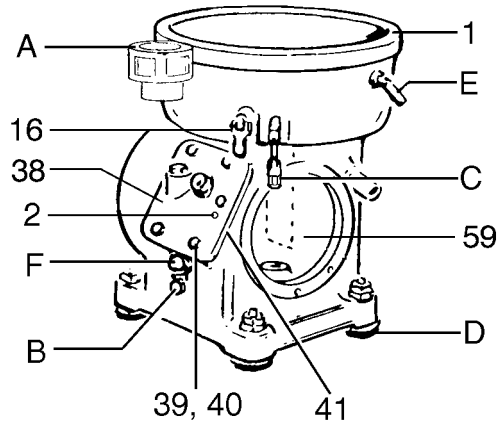
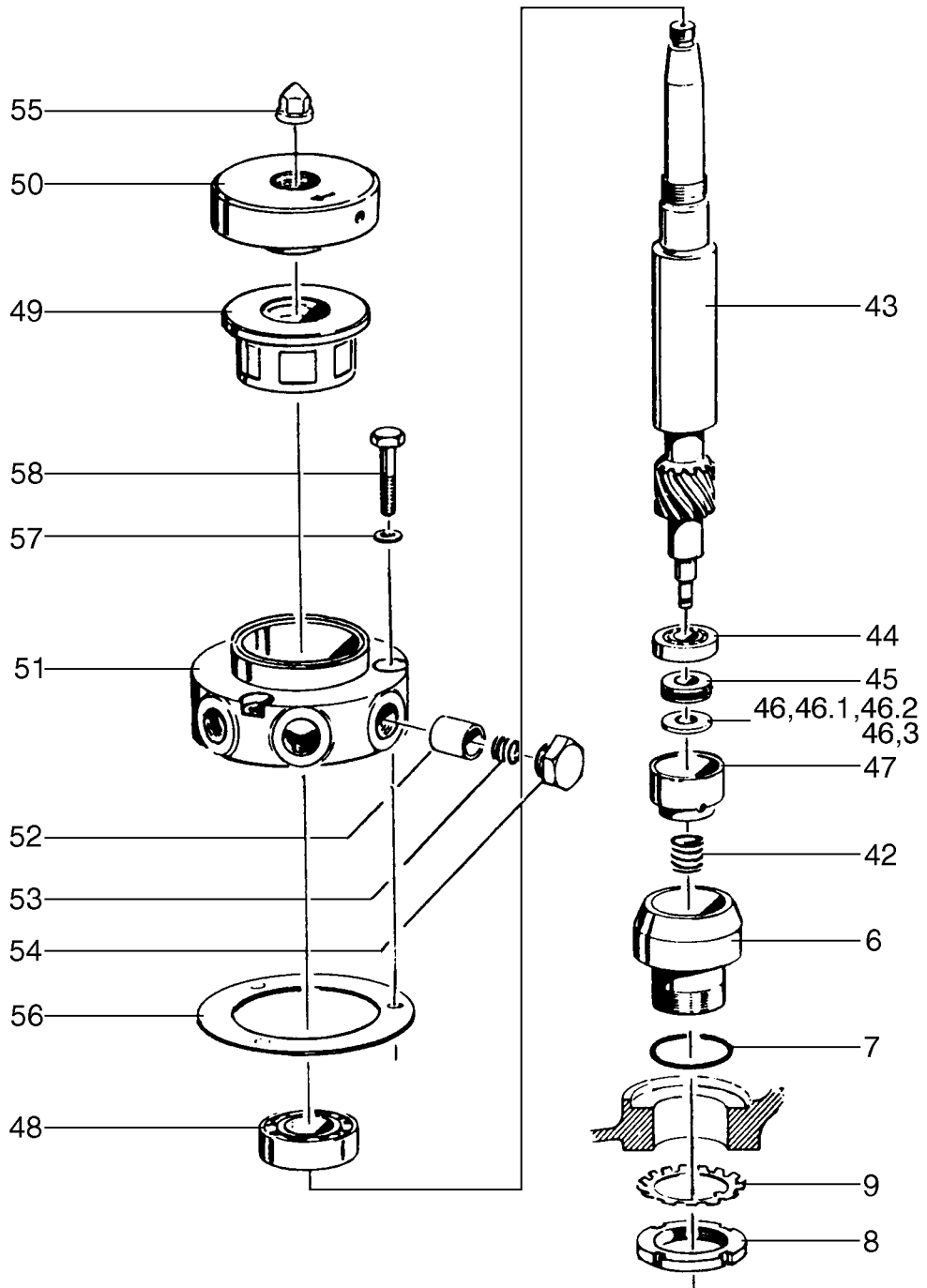
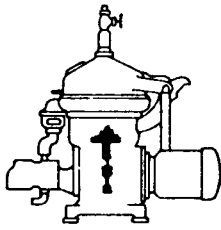


2 Frame with collecting cover

Ref	Part No	Description	Machine unit number or Subassembly description				Notes
			549807-				
			-01	-02	-03	-04	
			Quantity				
			↓	↓	↓	↓	
		50 Hz					
		60 Hz					
		50 Hz with built-in pump					
		60 Hz with built-in pump					
1	522242 80	Separator frame	1	1	1	1	
2	14593	Pin	2	2	2	2	
3	65235	Rectangular ring	4	4	4	4	
4	71125	Cap	4	4	4	4	
5	71126	Cap	4	4	4	4	
6	522244 02	Bushing	1	1	1	1	
7	66554	O-ring	1	1	1	1	
8	67477	Round nut	1	1	1	1	
9	38723	Lock washer	1	1	1	1	
10	37401	Screw plug	1	1	1	1	
11	37402	Gasket	1	1	1	1	
12	8391	Gauge glass	1	1	1	1	
13	8390	Fixing plate	1	1	1	1	
14	2211721 08	Screw	2	2	2	2	
15	8392	Gasket	1	1	1	1	
16	9993	Brake	1	1	1	1	See page 30
17	522964 02	Inspection box	2	2	2	2	
18	2210941 17	Screw	4	4	4	4	
19	519992 02	Joint flange	2	2	2	2	
20	223436 02	Rectangular ring	2	2	2	2	
21	37166	Sight glass	2	2	2	2	
22	223436 02	Rectangular ring	2	2	2	2	
23	37168	Lock ring	2	2	2	2	
24	66555	O-ring	2	2	2	2	
25	6924	Lock screw	2	2	2	2	
26	5569	Bushing	2	2	2	2	
27	225405 02	Hinged bolt	2	2	2	2	
28	222116 18	Slotted pin	2	2	2	2	
29	519565 02	Clamping shoe	2	2	2	2	
30	536738 01	Cap nut	2	2	2	2	
31	68772	Support for collecting cover	1	1	1	1	
32	2210941 01	Screw	3	3	3	3	
33	36120	Blocking arm	1	1	1	1	
34	2210941 06	Screw	1	1	1	1	
35	37396	Spacing sleeve	1	1	1	1	
36	73200	Nut	1	1	1	1	
37	64799	Pin	1	1	1	1	
38	37207	Guard for worm wheel	1	1	1	1	See page 32
39	72933	Screw	6	6	6	6	
40	20758	Washer	6	6	6	6	
41	37211	Gasket	1	1	1	1	
42	8376	Spring	1	1	1	1	
43	531462 80	Bowl spindle		1		1	
43	70111	Bowl spindle	1		1		
44	12208	Ball bearing	1	1	1	1	
45	36224	Ball bearing	1	1	1	1	
46	537542 01	Height adjusting ring 1,0 mm	1	1	1	1	
46.1	36032	Height adjusting ring 3,0 mm	1	1	1	1	
46.2	36033	Height adjusting ring 4,0 mm	1	1	1	1	
46.3	36034	Height adjusting ring 5,0 mm	1	1	1	1	
47	63110	Ball bearing sleeve	1	1	1	1	
48	8726	Ball bearing	1	1	1	1	
49	36227	Ball bearing housing	1	1	1	1	
50	61395	Protecting collar	1	1	1	1	
51	36228	Spring casing	1	1	1	1	
52	36231	Buffer	6	6	6	6	







Ref	Part No	Description	Machine unit number or Subassembly description 549807-				Notes
			-01	-02	-03	-04	
		50 Hz	↓				
		60 Hz		↓			
		50 Hz with built-in pump			↓		
		60 Hz with built-in pump				↓	
53	1734	Spring	6	6	6	6	
54	36232	Screw plug	6	6	6	6	
55	70109	Cap nut	1	1	1	1	
56	37647	Gasket	1	1	1	1	
57	40040	Spring washer	3	3	3	3	
58	2210941 03	Screw	3	3	3	3	
59	549808 01	Driving device horizontal	1				See page 34
59	549808 02	Driving device horizontal		1			See page 34
59	549808 03	Driving device horizontal			1		See page 34
59	549808 04	Driving device horizontal				1	See page 34
60	522230 02	Collecting cover bottom part	1	1	1	1	
61	61377	O-ring	1	1	1	1	
62	522236 80	Collecting cover top part	1	1	1	1	
63	72933	Screw	4	4	4	4	
64	68690	Hinge pin	1	1	1	1	
65	221585 13	Screw	1	1	1	1	
66	68682	Inlet pipe	1	1	1	1	
67	37194	Gland	1	1	1	1	
68	70485	Stud bolt	2	2	2	2	
69	73200	Nut	2	2	2	2	
70	67771	Plug	1	1	1	1	
71	68819	Stop ring	1	1	1	1	
72	221585 11	Screw	2	2	2	2	
73	71131	Filling screw	1	1	1	1	
74	38324	Gasket	1	1	1	1	
75	37404	Splash guard	1	1	1	1	
76	2211721 08	Screw	3	3	3	3	
77	223101 48	Washer	3	3	3	3	
78	71134	Support	1	1	1	1	
79	67677	Seal ring	1	1	1	1	
80	67676	Sight glass	1	1	1	1	
81	37547	Stud bolt	2	2	2	2	
82	71349	Hand-wheel	2	2	2	2	
83	37384	End plate	1	1	1	1	
84	2212607 06	Screw	2	2	2	2	
85	223406 30	O-ring	1	1	1	1	
86	223408 03	O-ring	1	1	1	1	
87	64002	Thermometer	1	1	1	1	
88	9281	Gasket	2	2	2	2	

