

# 86B-200 SERIES

## 3-Piece Full Port Stainless Steel Class 600 Socket-Weld Ball Valve

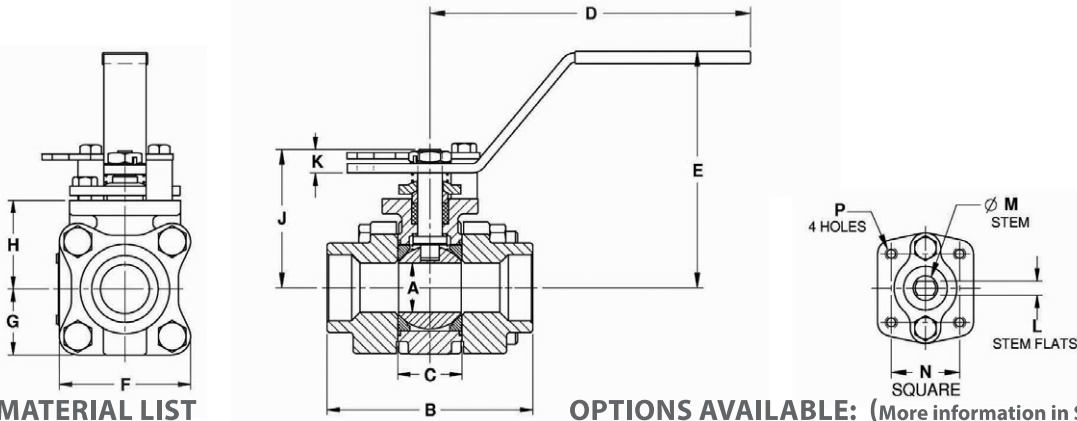
Standard Compliance - **Valve Design:** ASME B16.34, Class 600, NACE MR0175 (2000) & MR0103 (2012)

**End Connections:** Socket-weld per ASME B16.11 **Valve Marking:** ASME B16.34 **Production Testing:** ASME B16.34



### FEATURES

- 3-Piece construction w/ enclosed fasteners
- Full port
- Stainless steel trim & hardware
- Swing-out center section
- Pressure balanced solid ball
- Compression controlled spiral wound gaskets
- Anti-blowout one piece bottom entry stem
- Statically grounded ball, stem, & body
- Two-position locking
- Adjustable multi-piece PTFE "V" style packing
- Fully machined ISO 5211 mounting
- Cast bosses on the center-section and end caps for bleed & drain ports
- Vacuum service to 29 in of Hg.
- CE mark, 1.25" and larger
- 250 psig saturated steam



### STANDARD MATERIAL LIST

PART	MATERIAL	
1	Body	ASTM A351-CF8M
2	End Caps	ASTM A351-CF3M
3	Ball	ASTM A276-316SS
4	Stem	ASTM A276-316SS
5	Seat	Multi-Seal
6	Packing	PTFE
7	Stem Bearing	PEEK/PTFE
8	Body Gasket	PTFE Spiral Wound
9	Body Bolts	ASTM A193-Gr.B8M3
10	Body Nuts	ASTM A194-Gr.8
11	Stop Bolts	18-8 Stainless Steel
12	Gland Bolts	ASTM A193-Gr.B8
13	Handle Nut/Screw	300 Series Stainless Steel
14	Packing Gland	ASTM A276-316SS
15	Gland Plate	300 Series Stainless Steel
16	Lever Handle	300 Series Stainless Steel
17	Lock Plate	300 Series Stainless Steel
18	Stops	300 Series Stainless Steel
19	Int. Grnd. Spring	300 Series Stainless Steel
20	Ext. Grnd. Spring	300 Series Stainless Steel

### OPTIONS AVAILABLE: (More information in Section J)

(SUFFIX)	OPTION	SIZES
-01	Standard Configuration	All
-04	2.25" Stem Extension	1/4" to 2"
-14	Vented Ball	1/4" to 2"
-15	Round Handle	1/4" to 2"
-21	UHMWPE Seats w/Graphite Seals	1/4" to 2"
-24	Fire Safe - Graphite Packing & Gaskets (API 607, 5th ed., ISO 10497-5)	1/4" to 2"
-38	Peek Seats, Graphite Stem Packing & Gaskets	1/4" to 2"
-49	Assembled Dry	1/4" to 2"
-57	Cleaned for Oxygen Service	1/4" to 2"
-62	Center Section Only	1/4" to 2"
-69	Drilled & Tapped Purge & Drains	1/4" to 2"
-70	4" Extended Bonnet	1/4" to 2"
-76	Live Loaded (Lever Operated)	1/4" to 2"
-77	Live Loaded (Actuated)	1/4" to 2"
-90	4" Extended Bonnet with Double Packing	1/4" to 2"
-9P	4" Extended Bonnet with Double Packing & Port	1/4" to 2"
-SR	Spring Return Handle	1/4" to 1"
-UL	UL Listed	1/4" to 2"

**FOR PRESSURE/TEMPERATURE RATINGS, REFER TO PAGE M-20, GRAPH NO. 26**

PRODUCT NUMBER	SIZE	A	B	C	D	E	F	G	H	J	K	L	M	N	P	WT.
86B-201-01	1/4"	0.37	2.80	0.89	5.12	3.02	2.02	1.01	1.39	1.97	0.23	0.245	0.375	1.00	10-24	2.3
86B-202-01	3/8"	0.50	2.80	0.89	5.12	3.02	2.02	1.01	1.39	1.97	0.23	0.245	0.375	1.00	10-24	2.3
86B-203-01	1/2"	0.50	2.80	0.89	5.12	3.02	2.02	1.01	1.39	1.97	0.23	0.245	0.375	1.00	10-24	2.3
86B-204-01	3/4"	0.75	3.68	1.10	5.53	3.40	2.40	1.20	1.65	2.35	0.24	0.312	0.500	1.392	1/4-20	4.0
86B-205-01	1"	1.00	4.19	1.31	6.53	4.80	2.67	1.34	1.80	2.80	0.48	0.287	0.500	1.392	1/4-20	5.7
86B-206-01	1.25"	1.50	4.50	1.97	6.65	4.70	3.84	1.92	2.49	3.89	0.72	0.412	0.625	1.949	5/16-18	14.2
86B-207-01	1.5"	1.50	4.98	1.97	6.65	4.70	3.84	1.92	2.49	3.89	0.72	0.412	0.625	1.949	5/16-18	14.4
86B-208-01	2"	2.00	5.86	2.56	8.40	5.47	4.92	2.46	3.17	4.74	0.80	0.477	0.750	1.949	5/16-18	27.6