

# Model 75/900FG\*

Maximum Rated Flow 1.59-3.16 gpm  
(6-12 lpm)

Port Size: 3/4" NPT

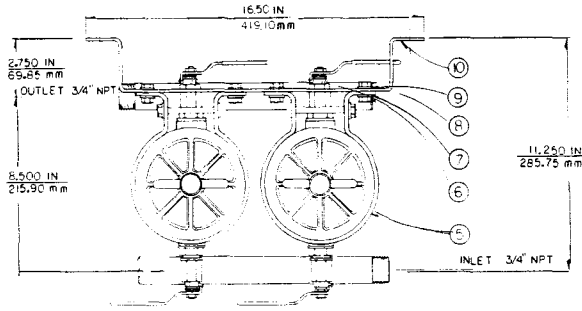
Valves permit servicing under continuous operation. See above for individual Model 900FG Parts List.

## Parts List

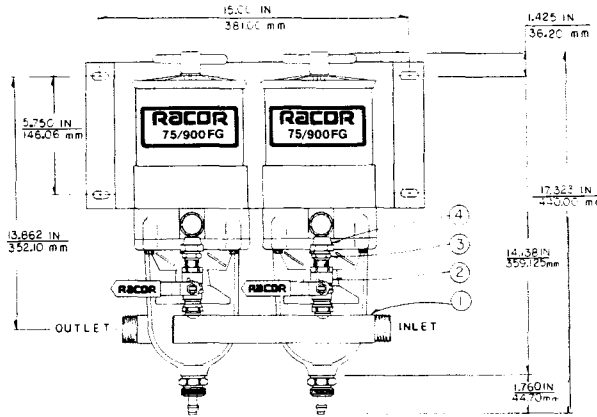
Item	Part No.	Qty	Description
1	11892	2	3/4" Manifold
2	11073	4	Ball Valve Assm. 1/2" NPT
3	11074	4	Strt. Ftg. - 1/2" NPT x 1/2"-14 NPSM
4	11072	4	Elbow Fitting
5	900FG	2	Filter/Separator
6	11078	4	3/8" Hex-Bolt
7	11080	4	3/8" Washer Flat
8	11102	4	3/8" Washer-Lock
9	11079	4	3/8" Hex-Nut
10	11065	1	Double Bracket

\*For (UL) listed applications, order model 75/900MA.

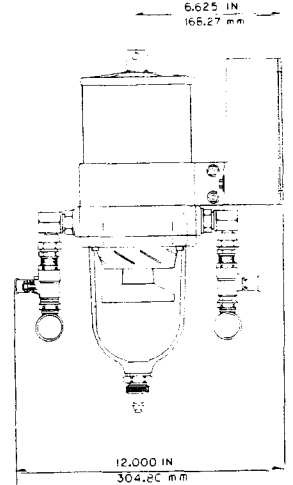
## Parts Diagram



Top View



Front View



Back View

Valves shown in closed position.

# Model 1000FG\*

Maximum Rated Flow 3.16 gpm (12 lpm)

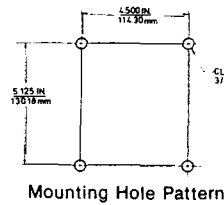
Port Size: 7/8" x 14 UNF Str Thd  
w/O-ring

## Parts List

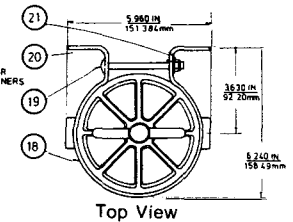
Item	Part No.	Qty.	Description
1	11780	1	Drain Valve
2	11340	1	Bowl Drain O-Ring
3	11031A	1	Clear Bowl
4	11026C	1	Turbine Centrifuge
5	11027	1	3/4" Check Ball
6	11025C	1	Conical Baffle
7	11028B	1	Check Ball Gasket
8	11007	3	Gasket
9	11023B	1	Base
10	2020SM	1	Element
11	11008	1	Return Tube
12	11005B	1	Lid
13	11350	1	O-Ring
14	11888	1	T-handle
15	11542	4	Bowl Retaining Screw
16	11037A	1	Bowl Ring
17	11021	1	Outer Cylinder
18	11815	2	Bracket Clamp
19	11838	4	5/16" Carriage Bolt
20	12049	4	5/16" Flat Washer
21	11841	4	5/16" Lock Nut
22			Metal Bowl (optional)

\*For (UL) listed applications, order model 1000MA

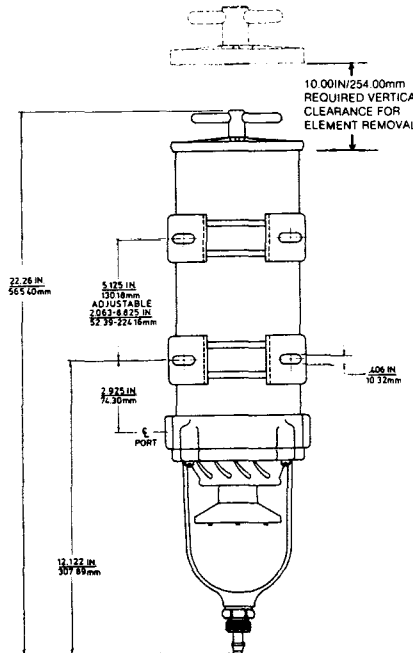
## Parts Diagram



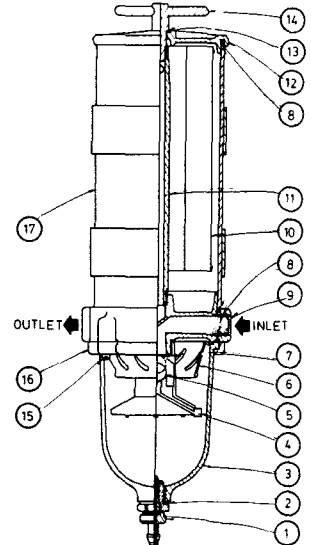
Mounting Hole Pattern



Top View



Back View



Cutaway View