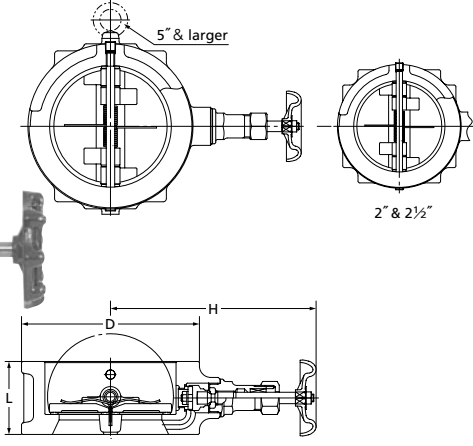
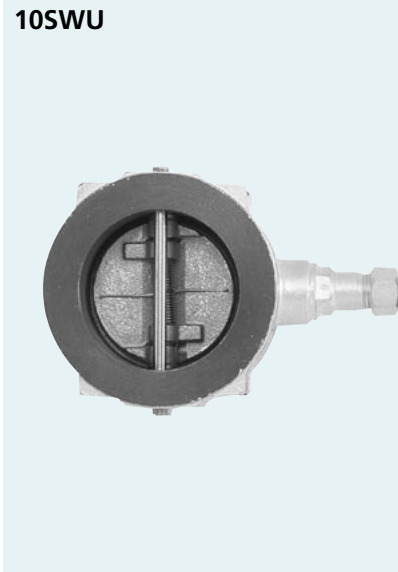


10K Wafer Check Valve



F-F dimension : KITZ Std.

80°C Static water 1.4MPa
 80°C W.O.G. 1.0MPa

- Use for lubricating or hydraulic oil is acceptable.
- Employment of copper gasket prohibits use of this valve for ammonia or amine chemicals.

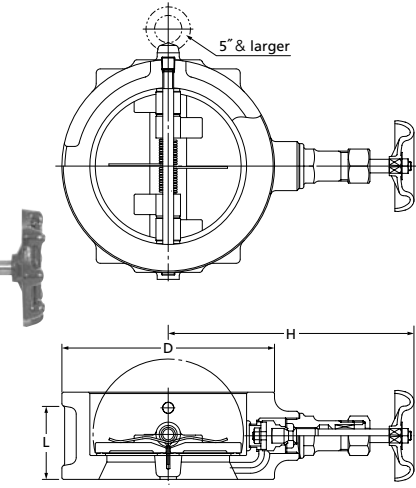
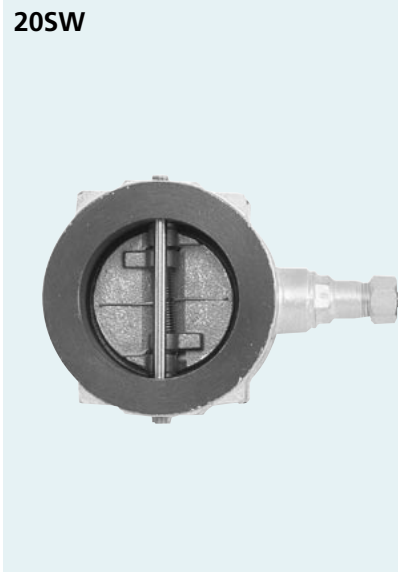
Materials

| Parts | JIS material |
|---------------|----------------------|
| Body | FCD-S + NBR |
| Bonnet | FCD-S |
| Stem | SUS420J2 |
| Disc | SCS13A |
| Plug | SWCH10R |
| Spring | SUS304 |
| Gland | SUS403 |
| Gland packing | Non Asbestos Packing |
| Gasket | C1100P-0 |
| Handwheel | FCD450-10 |

Dimensions

| Size | mm | | | | | | | | | | | | |
|------|------|-------|-----|-----|-----|-----|-----|-----|-----|-----|-----|-----|-----|
| | mm | 65 | 80 | 100 | 125 | 150 | 200 | 250 | 300 | 350 | 400 | 450 | |
| | inch | 2 1/2 | 3 | 4 | 5 | 6 | 8 | 10 | 12 | 14 | 16 | 18 | |
| L | | 54 | 54 | 57 | 64 | 70 | 76 | 95 | 108 | 144 | 184 | 191 | 203 |
| H | | 153 | 173 | 179 | 192 | 205 | 246 | 271 | 297 | 323 | 342 | 370 | 396 |
| D | | 101 | 121 | 131 | 156 | 187 | 217 | 267 | 330 | 375 | 420 | 483 | 538 |

20K Wafer Check Valve



F-F dimension : KITZ Std.

80°C Static water 2.8MPa
 80°C W.O.G. 2.0MPa

- Use for lubricating or hydraulic oil is acceptable.
- Employment of copper gasket prohibits use of this valve for ammonia or amine chemicals.

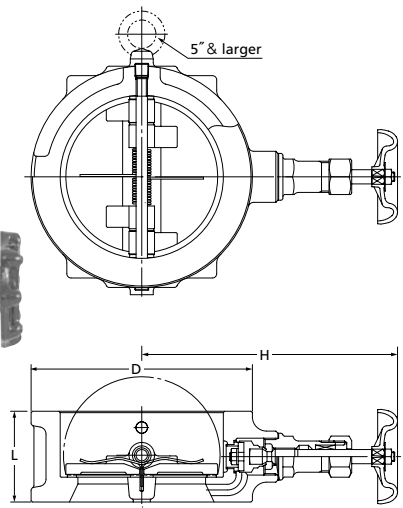
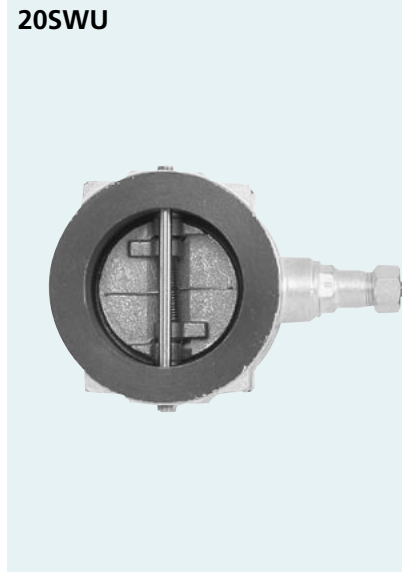
Materials

| Parts | JIS material |
|---------------|--------------------------|
| Body | FCD-S + NBR |
| Bonnet | FCD-S |
| Stem | SUS420J2 |
| Disc | CAC406 |
| Plug | SWCH10R |
| Spring | SUS304 |
| Gland | SUS403 (2"~5": SUS420J2) |
| Gland packing | Non Asbestos Packing |
| Gasket | C1100P |
| Handwheel | FCD450-10 |

Dimensions

| Size | mm | | | | | | | | | |
|----------|------|-------|-----|-----|-----|-----|-----|-----|-----|-----|
| | mm | 65 | 80 | 100 | 120 | 150 | 200 | 250 | 300 | |
| | inch | 2 1/2 | 3 | 4 | 5 | 6 | 8 | 10 | 12 | |
| L | | 54 | 60 | 67 | 67 | 83 | 95 | 127 | 140 | 181 |
| H (open) | | 153 | 173 | 179 | 192 | 205 | 246 | 271 | 297 | 323 |
| D | | 101 | 121 | 137 | 162 | 200 | 235 | 280 | 353 | 403 |

20K Wafer Check Valve



F-F dimension : KITZ Std.

80°C Static water 2.8MPa
 80°C W.O.G. 2.0MPa

- Use for lubricating or hydraulic oil is acceptable.
- Employment of copper gasket prohibits use of this valve for ammonia or amine chemicals.

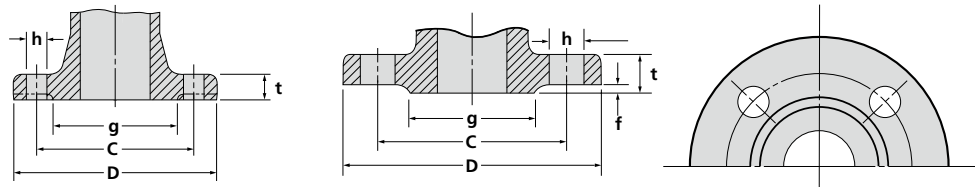
Materials

| Parts | JIS material |
|---------------|--------------------------|
| Body | FCD-S+NBR |
| Bonnet | FCD-S |
| Stem | SUS420J2 |
| Disc | SCS13A |
| Plug | SWCH10R |
| Spring | SUS304 |
| Gland | SUS403 (2"~5": SUS420J2) |
| Gland packing | Non Asbestos Packing |
| Gasket | C1100P |
| Handwheel | FCD450-10 |

Dimensions

| Size | mm | | | | | | | | | |
|----------|-----|-----|-----|-----|-----|-----|-----|-----|-----|--|
| | 50 | 65 | 80 | 100 | 120 | 150 | 200 | 250 | 300 | |
| | 2 | 2½ | 3 | 4 | 5 | 6 | 8 | 10 | 12 | |
| L | 54 | 60 | 67 | 67 | 83 | 95 | 127 | 140 | 181 | |
| H (open) | 153 | 173 | 179 | 192 | 205 | 246 | 271 | 297 | 323 | |
| D | 101 | 121 | 137 | 162 | 200 | 235 | 280 | 353 | 403 | |

Steel Pipe Flange Dimensions



f : Height of raised face

JIS 10K Steel Pipe Flange Dimensions

JIS B 2239-1996

| Nominal Size | | Flange Diam. (D) | Dimension of Flange Part | | | Bolt Holes | | | Bolt Size |
|--------------|-------|------------------|--------------------------|-------------------|----------------|------------------|--------|----------------|-----------|
| mm | inch | | Thickness (t) | Raised Height (f) | Face Diam. (g) | Circle Diam. (C) | Number | Hole Diam. (h) | |
| 10 | 3/8 | 90 | 12 | 1 | 46 | 65 | 4 | 15 | M12 |
| 15 | 1/2 | 95 | 12 | 1 | 51 | 70 | 4 | 15 | M12 |
| 20 | 3/4 | 100 | 14 | 1 | 56 | 75 | 4 | 15 | M12 |
| 25 | 1 | 125 | 14 | 1 | 67 | 90 | 4 | 19 | M16 |
| 32 | 1 1/4 | 135 | 16 | 2 | 76 | 100 | 4 | 19 | M16 |
| 40 | 1 1/2 | 140 | 16 | 2 | 81 | 105 | 4 | 19 | M16 |
| 50 | 2 | 155 | 16 | 2 | 96 | 120 | 4 | 19 | M16 |
| 65 | 2 1/2 | 175 | 18 | 2 | 116 | 140 | 4 | 19 | M16 |
| 80 | 3 | 185 | 18 | 2 | 126 | 150 | 8 | 19 | M16 |
| 100 | 4 | 210 | 18 | 2 | 151 | 175 | 8 | 19 | M16 |
| 125 | 5 | 250 | 20 | 2 | 182 | 210 | 8 | 23 | M20 |
| 150 | 6 | 280 | 22 | 2 | 212 | 240 | 8 | 23 | M20 |
| 200 | 8 | 330 | 22 | 2 | 262 | 290 | 12 | 23 | M20 |
| 250 | 10 | 400 | 24 | 2 | 324 | 355 | 12 | 25 | M22 |
| 300 | 12 | 445 | 24 | 3 | 368 | 400 | 16 | 25 | M22 |
| 350 | 14 | 490 | 26 | 3 | 413 | 445 | 16 | 25 | M22 |
| 400 | 16 | 560 | 28 | 3 | 475 | 510 | 16 | 27 | M24 |

JIS 16K Steel Pipe Flange Dimensions

JIS B 2239-1996

| Nominal Size | | Flange Diam. (D) | Dimension of Flange Part | | | Bolt Holes | | | Bolt Size |
|--------------|-------|------------------|--------------------------|-------------------|----------------|------------------|--------|----------------|-----------|
| mm | inch | | Thickness (t) | Raised Height (f) | Face Diam. (g) | Circle Diam. (C) | Number | Hole Diam. (h) | |
| 10 | 3/8 | 90 | 12 | 1 | 46 | 65 | 4 | 15 | M12 |
| 15 | 1/2 | 95 | 12 | 1 | 51 | 70 | 4 | 15 | M12 |
| 20 | 3/4 | 100 | 14 | 1 | 56 | 75 | 4 | 15 | M12 |
| 25 | 1 | 125 | 14 | 1 | 67 | 90 | 4 | 19 | M16 |
| 32 | 1 1/4 | 135 | 16 | 2 | 76 | 100 | 4 | 19 | M16 |
| 40 | 1 1/2 | 140 | 16 | 2 | 81 | 105 | 4 | 19 | M16 |
| 50 | 2 | 155 | 16 | 2 | 96 | 120 | 8 | 19 | M16 |
| 65 | 2 1/2 | 175 | 18 | 2 | 116 | 140 | 8 | 19 | M16 |
| 80 | 3 | 200 | 20 | 2 | 132 | 160 | 8 | 23 | M20 |
| 100 | 4 | 225 | 22 | 2 | 160 | 185 | 8 | 23 | M20 |
| 125 | 5 | 270 | 22 | 2 | 195 | 225 | 8 | 25 | M22 |
| 150 | 6 | 305 | 24 | 2 | 230 | 260 | 12 | 25 | M22 |
| 200 | 8 | 350 | 26 | 2 | 275 | 305 | 12 | 25 | M22 |
| 250 | 10 | 430 | 28 | 2 | 345 | 380 | 12 | 27 | M24 |
| 300 | 12 | 480 | 30 | 3 | 395 | 430 | 16 | 27 | M24 |
| 350 | 14 | 540 | 34 | 3 | 440 | 480 | 16 | 33 | M30 |
| 400 | 16 | 605 | 38 | 3 | 495 | 540 | 16 | 33 | M30 |

JIS 20K Steel Pipe Flange Dimensions

JIS B 2239-1996

| Nominal Size | | Flange Diam. (D) | Dimension of Flange Part | | | Bolt Holes | | | Bolt Size |
|--------------|-------|------------------|--------------------------|-------------------|----------------|------------------|--------|----------------|-----------|
| mm | inch | | Thickness (t) | Raised Height (f) | Face Diam. (g) | Circle Diam. (C) | Number | Hole Diam. (h) | |
| 10 | 3/8 | 90 | 14 | 1 | 46 | 65 | 4 | 15 | M12 |
| 15 | 1/2 | 95 | 14 | 1 | 51 | 70 | 4 | 15 | M12 |
| 20 | 3/4 | 100 | 16 | 1 | 56 | 75 | 4 | 15 | M12 |
| 25 | 1 | 125 | 16 | 1 | 67 | 90 | 4 | 19 | M16 |
| 32 | 1 1/4 | 135 | 18 | 2 | 76 | 100 | 4 | 19 | M16 |
| 40 | 1 1/2 | 140 | 18 | 2 | 81 | 105 | 4 | 19 | M16 |
| 50 | 2 | 155 | 18 | 2 | 96 | 120 | 8 | 19 | M16 |
| 65 | 2 1/2 | 175 | 20 | 2 | 116 | 140 | 8 | 19 | M16 |
| 80 | 3 | 200 | 22 | 2 | 132 | 160 | 8 | 23 | M20 |
| 100 | 4 | 225 | 24 | 2 | 160 | 185 | 8 | 23 | M20 |
| 125 | 5 | 270 | 26 | 2 | 195 | 225 | 8 | 25 | M22 |
| 150 | 6 | 305 | 28 | 2 | 230 | 260 | 12 | 25 | M22 |
| 200 | 8 | 350 | 30 | 2 | 275 | 305 | 12 | 25 | M22 |
| 250 | 10 | 430 | 34 | 2 | 345 | 380 | 12 | 27 | M24 |
| 300 | 12 | 480 | 36 | 3 | 395 | 430 | 16 | 27 | M24 |
| 350 | 14 | 540 | 40 | 3 | 440 | 480 | 16 | 33 | M30 |
| 400 | 16 | 605 | 46 | 3 | 495 | 540 | 16 | 33 | M30 |