

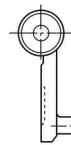
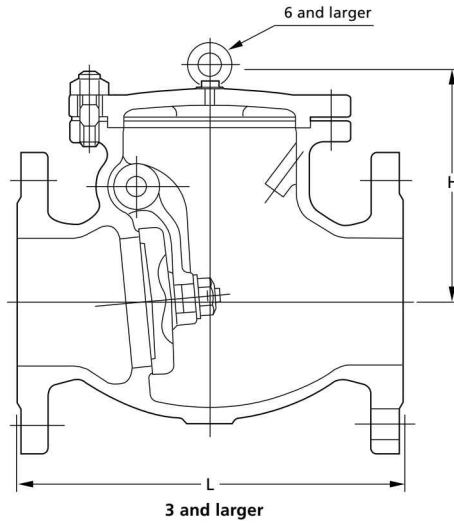
**Class 150**

**SWING CHECK VALVE**

Pressure-Temperature Rating: ASME B 16.34

150UOA

150UOAM



Disc type 2 1/2 and smaller

**Materials**

Parts	150UOA	150UOAM
Body	CF8	CF8M
Cover	CF8	CF8M
Disc	CF8	CF8M
Disc nut*	304	316
Gasket	Refer to Page 10	
Hinge pin	304	316
Plug	304	316
Arm	CF8	CF8M
Washer*	316, 316L (3~6)	
Cover bolt/nut	B8/8	
Split pin*	316L	

\*For size 3 and larger.  
Note: Body seats and/or disc seats can be optionally hard-faced.



Items	
Face-to-Face Dimensions	ASME B16.10
End Flange Dimensions	ASME B16.5
Wall Thickness	ASME B16.34 Class 150

Nominal Size	1 1/2	2	2 1/2	3	4	5	6	8	10	12	14	16	18	20	24
		40	50	65	80	100	125	150	200	250	300	350	400	450	500
L	in.	6.50	8.00	8.50	9.50	11.50	13.00	14.00	19.50	24.50	27.50	31.00	34.00	38.50	51.00
	mm	165	203	216	241	292	330	356	495	622	698	787	864	978	1295
H	in.	4.2	4.7	5.3	5.8	6.7	7.5	8.4	9.96	11.0	12.3	16.0	16.1	18.7	23.4
	mm	107	120	135	147	169	190	213	253	279	312	407	410	475	595

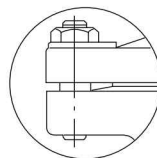
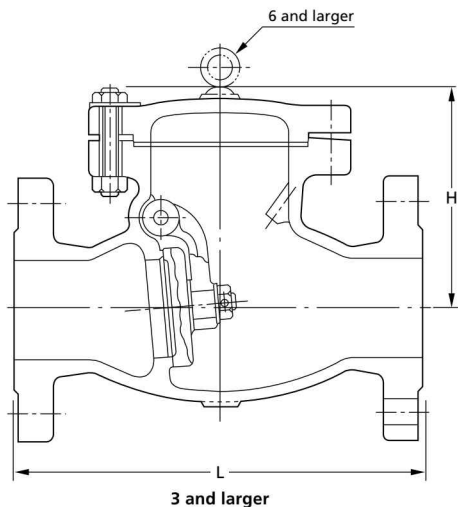
**Class 300**

**SWING CHECK VALVE**

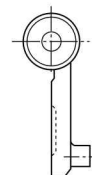
Pressure-Temperature Rating: ASME B 16.34

300UOA

300UOAM



3 and smaller



Disc type  
2 1/2 and smaller

**Materials**

Parts	300UOA	300UOAM
Body	CF8	CF8M
Cover	CF8	CF8M
Disc	CF8	CF8M
Gasket	Refer to Page 10	
Disc nut*	304	316
Hinge pin	304	316
Plug	304	316
Arm*	CF8	CF8M
Washer*	316, 316L (3~6)	
Cover bolt/nut	B8/8	
Split pin	316L	

\*Size 3 and larger.  
Note: Body seats and/or disc seats can be optionally hard-faced.



Items	
Face-to-Face Dimensions	ASME B16.10
End Flange Dimensions	ASME B16.5
Wall Thickness	ASME B16.34 Class 300

Nominal Size	1 1/2	2	2 1/2	3	4	5	6	8	10	12	14	16	18	20	24	
	40	50	65	80	100	125	150	200	250	300	350	400	450	500	600	
L	in.	9.50	10.50	11.50	12.50	14.00	15.75	17.50	21.00	24.50	28.00	33.00	34.00	38.50	40.00	53.00
	mm	241	267	292	318	356	400	444	533	622	711	838	864	978	1016	1346
H	in.	4.6	5.3	6.3	7.1	7.9	9.1	10.0	11.6	13.2	14.8	17.2	18.9	23.0	23.8	24.8
	mm	117	135	160	180	200	230	255	295	335	375	437	480	585	605	630

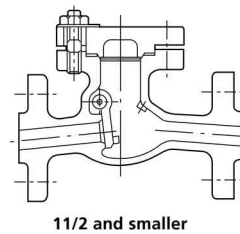
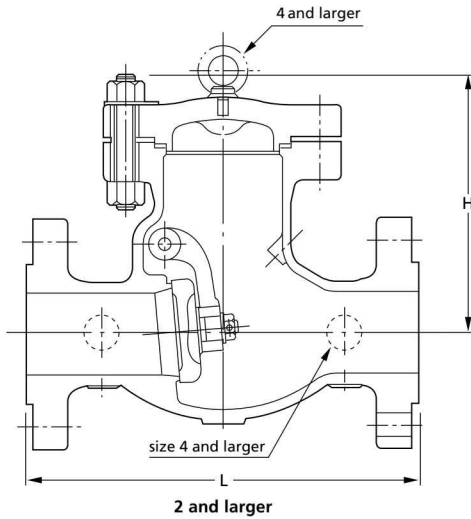
**Class 600**

**SWING CHECK VALVE**

Pressure-Temperature Rating: ASME B 16.34

600UOA

600UOAM



**Materials**

Parts	600UOA	600UOAM
Body	CF8	CF8M
Cover	CF8	CF8M
Disc*	CF8	CF8M
Gasket	Refer to Page 10	
Disc nut**	304	316
Hinge pin	304	316
Plug	304	316
Arm**	CF8	CF8M
Washer**	316, 316L (3-6)	316, 316L (3-6)
Cover bolt/nut	B8/8	
Split pin**	316L	
Name plate	Aluminum	

\*Body seats and/or disc seats can be optionally hard-faced.  
 \*\*Size 2 and larger.

Items	
Face-to-Face Dimensions	ASME B16.10
End Flange Dimensions	ASME B16.5
Wall Thickness	ASME B16.34 Class 600

Nominal Size	1/2	3/4	1	1 1/2	2	2 1/2	3	4	6	8	10	12	
		15	20	25	40	50	65	80	100	150	200	250	300
L	in.	6.50	7.50	8.50	9.50	11.50	13.00	14.00	17.00	22.00	26.00	31.00	33.00
	mm	165	190	216	241	292	330	356	432	559	660	787	838
H	in.	3.5	3.8	4.1	4.7	7.1	8.1	9.3	10.6	13.0	15.8	16.9	18.5
	mm	90	95	105	120	180	205	235	270	330	400	430	470

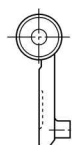
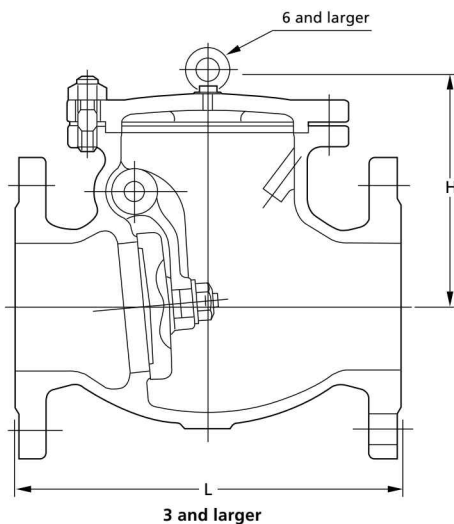
10K

SWING CHECK VALVE

Pressure-Temperature Rating: JIS B2220

10UOA(T)

10UOAM(T)



Disc type 2 1/2 and smaller

Materials

Parts	10UOA(T)*	10UOAM(T)*
Body	SCS13A	SCS14A
Cover	SCS13A	SCS14A
Disc	SCS13A	SCS14A
Disc nut*	SUS304	SUS316
Gasket	Refer to Page 6	
Hinge pin	SUS304	SUS316
Plug	SUS304	SUS316
Arm	SCS13A	SCS14A
WasherH	SUS316, SUS316L (3-6)	
Cover bolt/nut	SUS304/304	
Split pinH	SUS316L	

\*(T) Suffixing stands for the provision of ceramic filled PTFE gaskets.

\*\*For size 3 and larger.

Note: Body seats and/or disc seats can be optionally hard-faced.



Items	
Face-to-Face Dimensions	ASME B16.10
End Flange Dimensions	JIS B2220
Wall Thickness	ASME B16.34 Class 150

Nominal Size	1 1/2	2	2 1/2	3	4	5	6	8	10	12	14	16	18	20	24	
L	in.	6.50	8.00	8.50	9.50	11.50	13.00	14.00	19.50	24.50	27.50	31.00	34.00	38.50	38.50	51.00
	mm	165	203	216	241	292	330	356	495	622	698	787	864	978	978	1295
H	in.	4.2	4.7	5.3	5.8	6.7	7.5	8.4	9.96	11.0	12.3	14.3	16.0	18.7	19.9	23.4
	mm	107	120	135	147	169	190	213	253	279	312	364	407	475	505	595

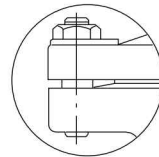
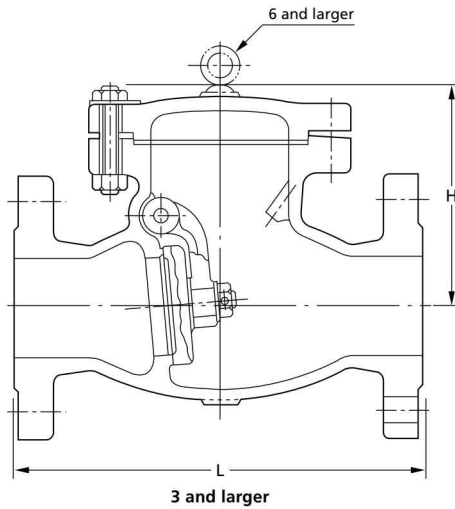
20K

SWING CHECK VALVE

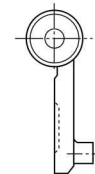
Pressure-Temperature Rating: JIS B2220

20UOA

20UOAM



3 and smaller



Disc type  
2 1/2 and smaller

Materials

Parts	20UOA	20UOAM
Body	SCS13A	SCS14A
Cover	SCS13A	SCS14A
Disc	SCS13A	SCS14A
Gasket	Refer to Page 10	
Disc nut*	SUS304	SUS316
Hinge pin	SUS304	SUS316
Plug	SUS304	SUS316
Arm*	SCS13A	SCS14A
Washer*	SUS316, SUS316L (3~6)	
Cover bolt/nut	SUS304/304	
Split pin	SUS316L	

\*Size 3 and larger.

Note: Body seats and/or disc seats can be optionally hard-faced.



Items	
Face-to-Face Dimensions	ASME B16.10
End Flange Dimensions	JIS B2220
Wall Thickness	ASME B16.34 Class 300

Nominal Size	1 1/2	2	2 1/2	3	4	5	6	8	10	12	14	16	18	20	24	
		40	50	65	80	100	125	150	200	250	300	350	400	450	500	600
L	in.	9.50	10.50	11.50	12.50	14.00	15.75	17.50	21.00	24.50	28.00	33.00	34.00	38.50	40.00	53.00
	mm	241	267	292	318	356	400	444	533	622	711	838	864	978	1016	1346
H	in.	4.6	5.3	6.3	7.1	7.9	9.1	10.0	11.6	13.2	14.8	17.2	18.9	23.0	23.8	24.8
	mm	117	135	160	180	200	230	255	295	335	375	437	480	585	605	630