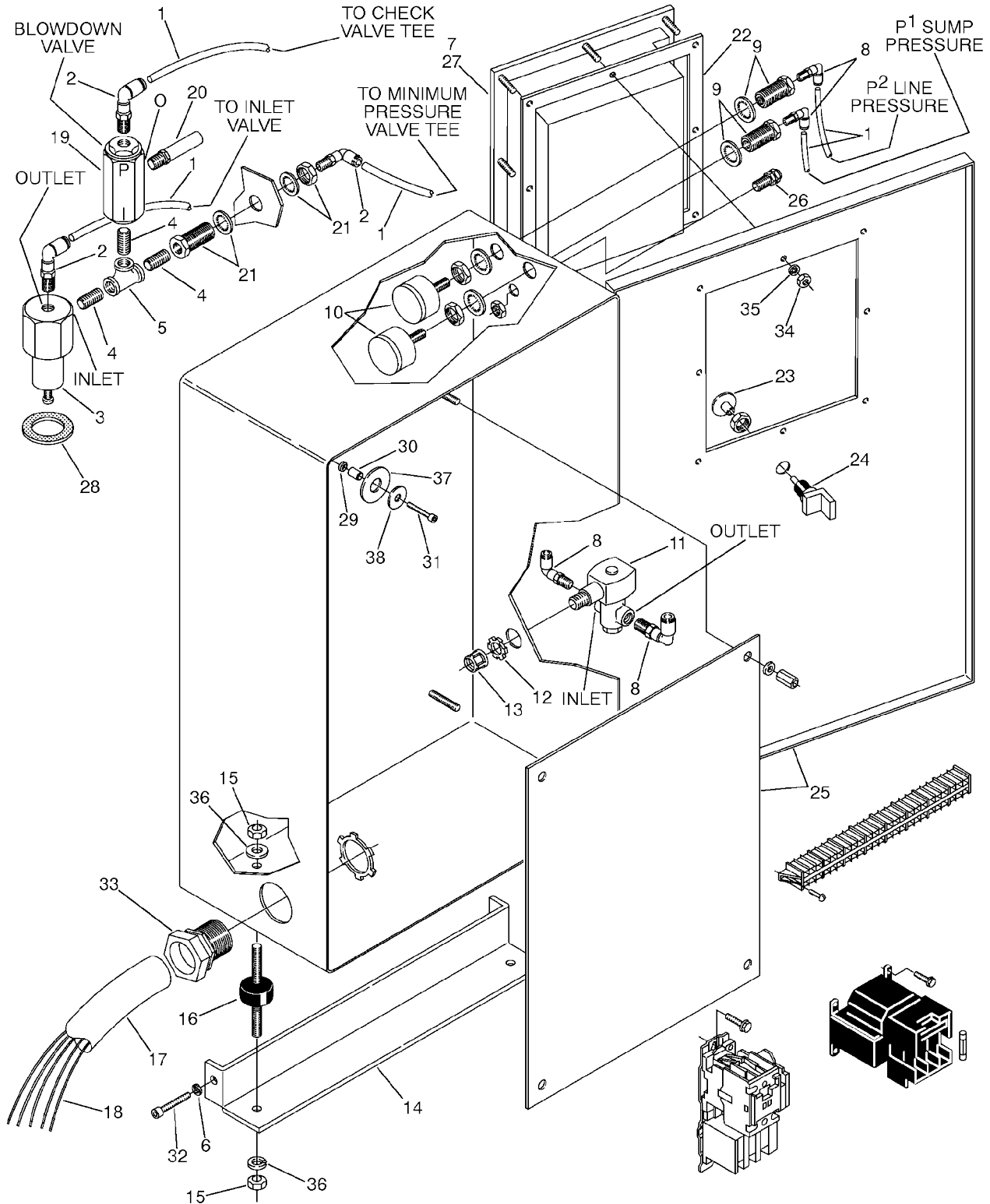


Section 10 ILLUSTRATIONS AND PARTS LIST

10.8 CONTROL BOX AND PARTS- SUPERVISOR II



ILLUSTRATIONS AND PARTS LIST

10.8 CONTROL BOX AND PARTS- SUPERVISOR II

<i>key number</i>	<i>description</i>	<i>part number</i>	<i>quantity</i>
1	hose, nylon 1/4"	842215-004	15 ft
2	elbow, 90 1/4" x 1/4"	250025-850	2
3	valve, pressure regulator (I)	250017-280	1
4	nipple, pipe 1/4" x close	823204-015	3
5	tee, pipe 1/4"	804415-010	1
6	washer, 8MM	865408-170	2
7	control, supervisor panel	02250071-542	1
8	elbow, 90 1/8" NPT x 1/4" tube	250025-849	4
9	bulkhead, pipe 1/8"	841500-002	2
10	transducer, pressure 0-200#	250039-910	2
11	valve, solenoid 500 psi (II)	250030-164	1
12	locknut, conduit 1/2"	847200-050	1
13	bushing, conduit plastic 1/2"	847815-050	1
14	support, control box	02250046-914	1
15	nut, hex M6 x 1.0	825906-100	4
16	isolator, vibration 25MM OD x 10MM wide	02250046-958	2
17	conduit, flex 1"	846315-100	1.2 ft
18	wire, #8 black (varies with motor size)	850210-008	7.5 ft
19	valve, blowdown 1/4"	02250049-634	1
20	silencer, 1/4"	044916	1
21	bulkhead, pipe 1/4"	841500-004	1
22	gasket, panel	02250048-822	1
23	operator, push/pull	250028-588	1
24	contact, black	250027-125	1
25	starter, assembly	consult factory	1
26	connector, cord grip	250023-496	1
27	decal, super 2 (III)	02250073-285	1
28	foam, air regulator	02250052-482	1
29	grommet	02250047-178	2
30	spacer	02250047-177	2
31	capscrew, M6 x 20MM	829306-020	2

(Continued on page 55)

- (I)** For maintenance on pressure regular valve no. 250017-280, order repair kit no. 250019-453.
- (II)** For maintenance on valve no. 250030-164, order repair kit no. 250038-849 and replacement coil no. 250035-292.
- (III)** This item is included with panel control no. 02250071-542 (see key number 7 above).

PLEASE NOTE: WHEN ORDERING PARTS, INDICATE SERIAL NUMBER OF COMPRESSOR