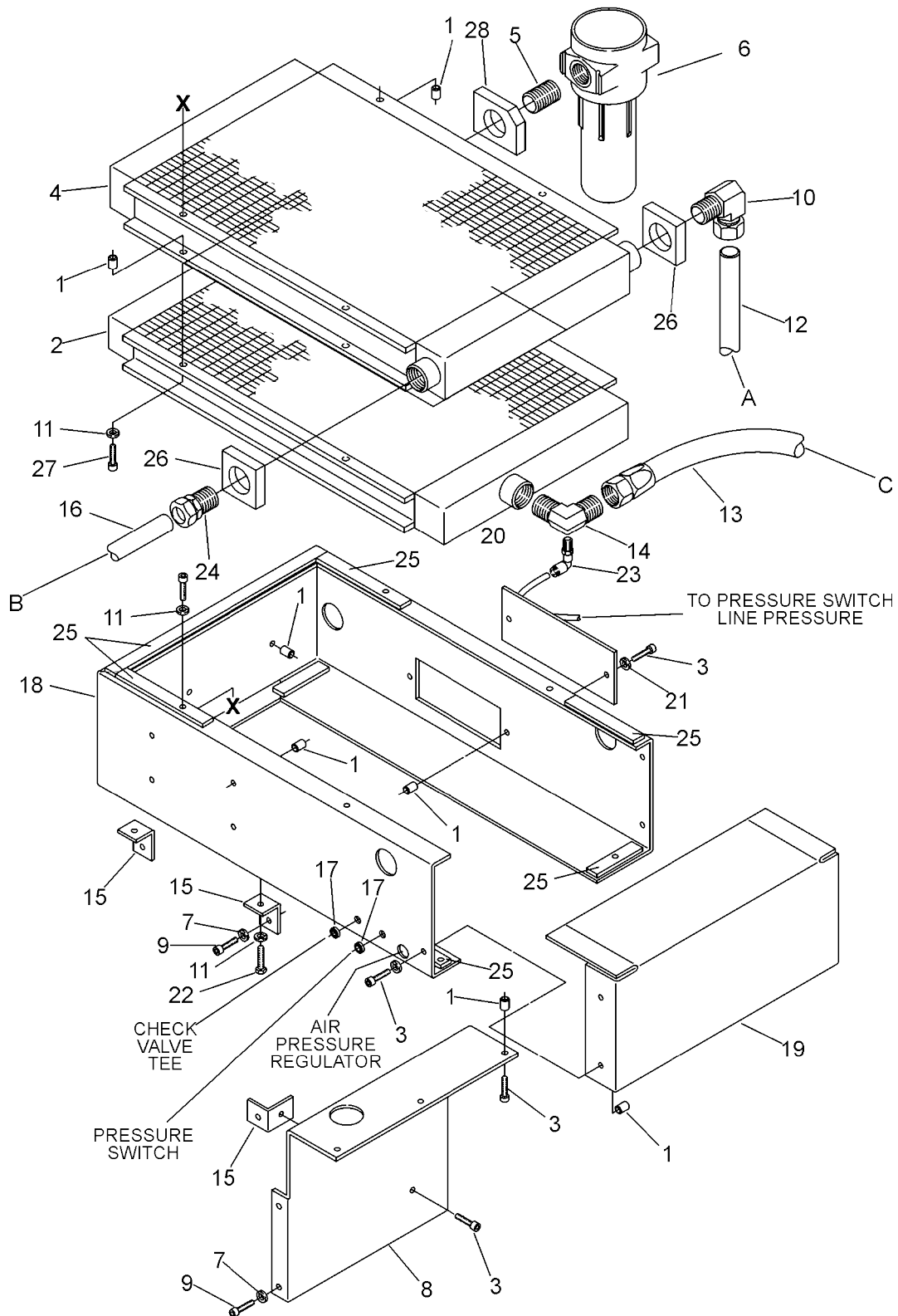


ILLUSTRATIONS AND PARTS LIST

10.7 COMPRESSOR COOLER SYSTEM AND PARTS



ILLUSTRATIONS AND PARTS LIST

10.7 COMPRESSOR COOLER SYSTEM AND PARTS

<i>key number</i>	<i>description</i>	<i>part number</i>	<i>quantity</i>
1	insert, threaded blind 6MM	02250047-083	20
2	aftercooler	250040-092	1
3	capscrew, M6 x 12MM	829306-012	10
4	cooler, oil (15,20 HP)	250039-096	1
	Scooler, oil (25,30 HP)	02250086-812	1
5	nipple, pipe 3/4" x 2"	823112-020	1
6	filter, air/separator/trap (I)	02250052-689	1
7	washer, 8MM	865408-170	7
8	cover, access	02250046-910	1
9	capscrew, 8M x 16MM	829308-016	6
10	elbow, tube 3/4"	02250048-820	1
11	washer, 6MM	865706-180	8
12	tube, oil in	02250047-245	1
13	hose, medium pressure 1" x 11.25"	02250107-919	1
14	elbow, 90_ 37FL	02250048-094	1
15	angle, support cooler	02250046-915	5
16	tube, oil out	02250047-244	1
17	grommet, rubber	040125	2
18	support, cooler (15,20 HP)	02250045-567	1
	Ssupport, cooler (25,30 HP)	02250048-302	1
19	cover, end coler support	02250046-911	1
20	cover, access cooler support	02250048-123	1
21	washer, 6MM	865406-125	2
22	capscrew, hex 6M x 16MM	828006-016	4
23	elbow, 90_ swivel 1/8" NPT	250025-849	1
24	connector, straight thd	02250048-819	1
25	weatherstrip, 1/2" x 1" (ft)	245738	5.5
26	foam, cooler oil/air	02250052-480	2
27	capscrew, M6 x 20MM	829306-020	8
28	foam, cooler after	02250052-481	1

(I) For maintenance on air/separator trap filter no. 02250052-689, order:

Sauto drain kit	250022-965	2
Ssight glass kit	250024-295	2
So-ring kit	02250056-270	2

PLEASE NOTE: WHEN ORDERING PARTS, INDICATE SERIAL NUMBER OF COMPRESSOR