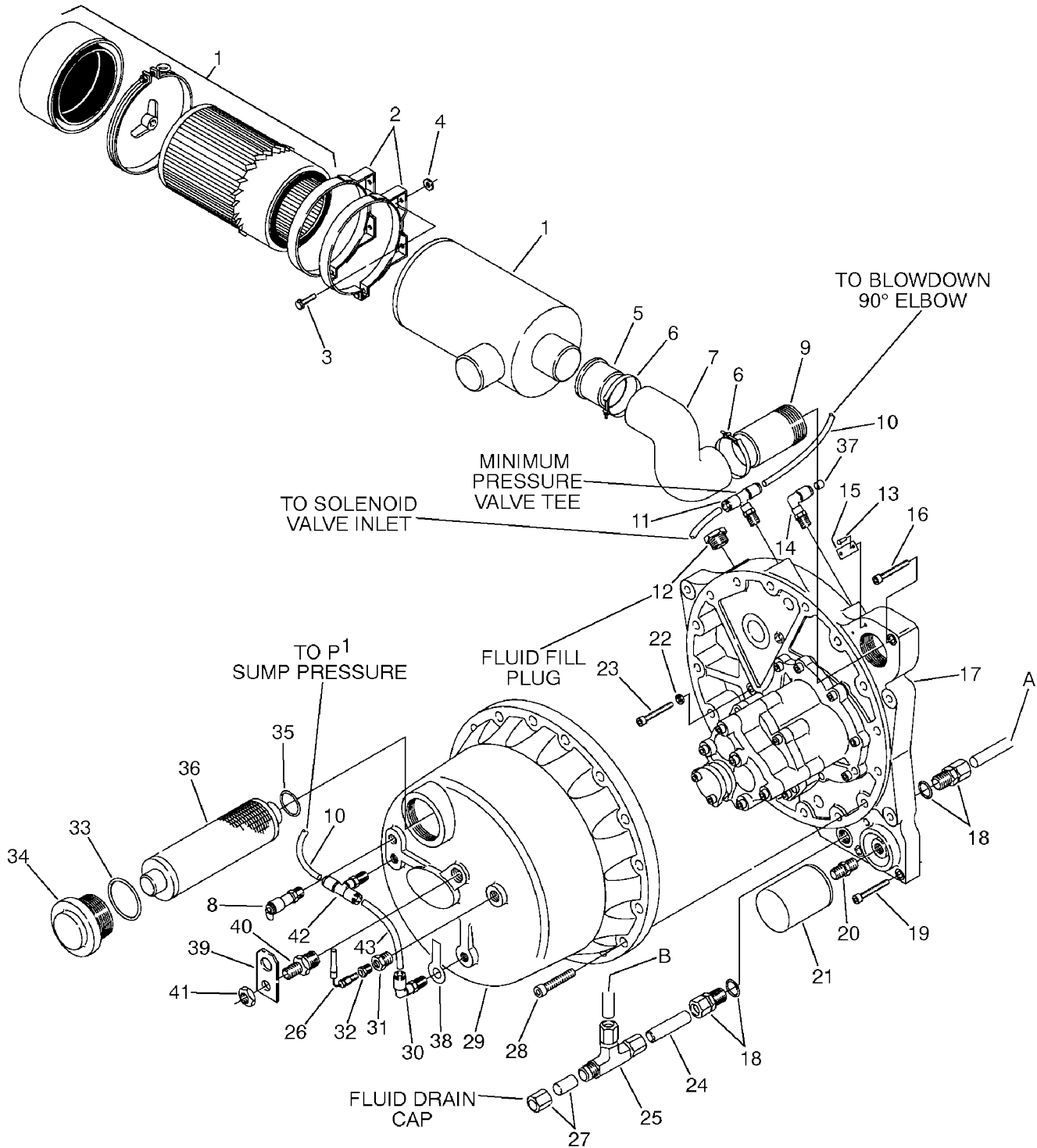


# ILLUSTRATIONS AND PARTS LIST

## 10.5 INLET FILTER, COMPRESSOR HOUSING/SUMP AND PARTS- STANDARD



# ILLUSTRATIONS AND PARTS LIST

## 10.5 INLET FILTER, COMPRESSOR HOUSING/SUMP AND PARTS- STANDARD

<i>key number</i>	<i>description</i>	<i>part number</i>	<i>quantity</i>
1	filter, air cyclopac 6 1/2" (I)	02250107-327	1
2	band, mounting 6 1/2"	043370	2
3	capscrew, M6 x 16MM	828006-016	4
4	washer, 6MM	865406-125	4
5	reducer, hose 2 1/2" x 2 1/4"	049779	1
6	clamp, hose	250018-550	2
7	elbow, rubber 90 2 1/2" 1 piece	02250048-321	1
8	valve, pressure relief 1/2" (200 psi/13.8 bar)	250006-938	1
9	nipple, air intake	02250047-425	1
10	hose, nylon (black)	842215-004	3
11	tee, branch swivel 1/4"T x 1/8"NPT	250025-834	1
12	plug, oil fill hex	250039-359	1
13	screw, drive #8 x 3/8"	839608-060	2
14	elbow, 90 1/8"NPT x 1/4"T	250025-849	1
15	plate, identification	250026-859	1
16	capscrew, socket M16 x 70MM	829316-070	1
17	hsg, inlet plate E08E	02250055-933	1
18	connector, tube 3/4"	811812-106	2
19	capscrew, socket M16 x 60MM	829316-060	4
20	adapter, oil filter	250025-914	1
21	element, fluid filter (II)	250026-982	1
22	washer, 8MM	865408-170	3
23	capscrew, socket M8 x 60MM	839308-060	3
24	tube, oil drain extension	02250046-999	1
25	tee, tube 3/4"	811412-075	1
26	probe, rtd	02250048-457	1
27	plug, oil	02250093-566	1
28	capscrew, M16 x 100MM	829316-100	16
29	housing, bell	250034-035	1
30	elbow, 90 1/4" x 1/4"	250025-850	2
31	bushing, reducing 1/2" x 1/8"	807102-005	1
32	fitting, compression	250028-635	1
33	o-ring, viton 3 1/8" x 1/8" (III)	826502-235	1

(Continued on page 47)

(I) For maintenance on air filter no. 02250107-327, order repair kit no. 043334.

(II) For maintenance on fluid filter no. 250026-982, order repair kit no. 02250050-602.

(III) For maintenance on air/fluid separator, order repair kit no. 02250106-791.

---

**PLEASE NOTE: WHEN ORDERING PARTS, INDICATE SERIAL NUMBER OF COMPRESSOR**