



ROTARY SCREW AIR COMPRESSOR ES-8 Series

Standard and Basic Models

15, 20, 25 and 30 HP

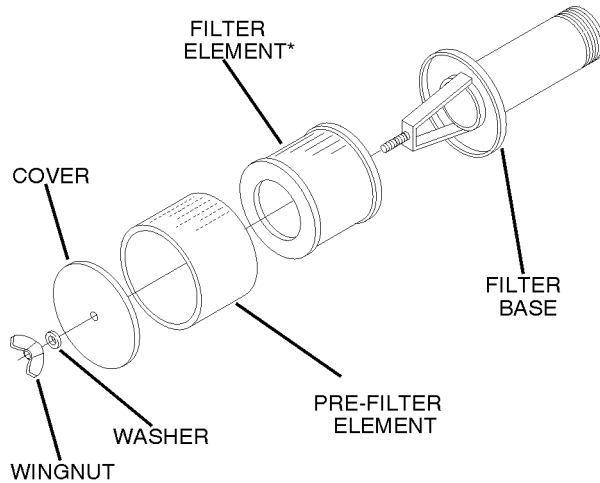
11, 15, 18.5 and 22KW

**OPERATOR'S
MANUAL AND
PARTS LIST**

**KEEP FOR
FUTURE
REFERENCE**

Part Number 02250117-368
©Sullair Corporation

Figure 8-4 Air Filter- Basic Model (02250069-934)



*Replacement Element P/N 02250094-135

sure by closing recommended discharge shut-off valve and releasing all internal pressure from compressor.

ELEMENT INSPECTION- STANDARD MODEL

1. Place a bright light inside the element to inspect for damage or leak holes. Concentrated light will shine through the element and locate any holes.
2. Inspect all gaskets and gasket contact surfaces of the housing. Should faulty gaskets be evident, correct the condition immediately.
3. If the clean element is to be stored for later use, it must be stored in a clean container.
4. After the element has been installed, inspect and tighten (if necessary) all air inlet connections prior to resuming operation.

AIR FILTER ELEMENT REMOVAL- STANDARD MODEL

1. Clean the exterior of the air filter housing.
2. Remove the dust cap by loosening the securing wingnut.
3. Pull element from body.
4. Clean the interior of the body by using a damp cloth. **DO NOT** use compressed air to remove the dirt.
5. Inspect the element; replace with new element if necessary.
6. Re-position element into the body.
7. Replace dust cap.
8. Replace wingnut.
9. Clean inside of dust cap.

AIR FILTER MAINTENANCE- BASIC MODEL

Refer to Figure 8-4. Air filter (P/N 02250069-934) maintenance should be performed every 6 months or more frequent if conditions so require.

ELEMENT INSPECTION- BASIC MODEL

1. Place a bright light inside the element to inspect for damage or leak holes. Concentrated light will shine through the element and locate any holes.

2. If the clean element is to be stored for later use, it must be stored in a clean container.

AIR FILTER ELEMENT REMOVAL- BASIC MODEL

1. Clean the exterior of the filter base and cover.
2. Loosen/remove the wingnut, washer and cover.
3. Remove element shield and element.
4. Clean filter base with a damp cloth. **DO NOT** use compressed air to remove the dirt.
4. Inspect the element; replace with new element if necessary.
5. Position element and pre-filter element in place.
6. Position cover over pre-filter element.
7. Reinstall washer and wingnut; tighten to secure.

SEPARATOR ELEMENT REPLACEMENT

Refer to Figure 8-5. The separator should be changed once a year. Follow the procedure explained below for element replacement.

⚠ WARNING

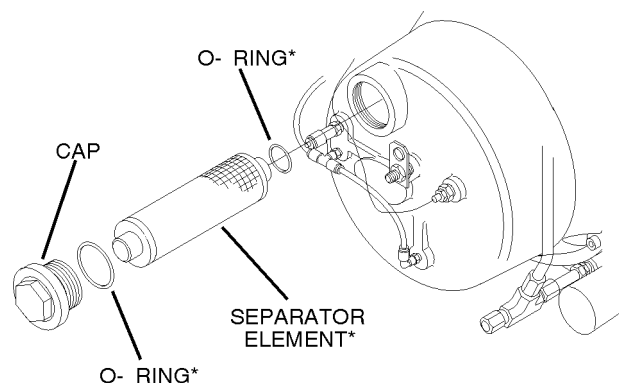
Before doing compressor maintenance, disconnect compressor from power source and lock out power source. Isolate compressor from line pressure by closing recommended discharge shut-off valve and releasing all internal pressure from compressor.

1. Insert a 100mm maximum length, 6mm diameter pin into the radially drilled hole in the separator cap. Loosen, unscrew counterclockwise and remove the cap.
2. Pull out the old element by gripping the end of the old element with channel lock pliers or a similar tool.
3. Install new o-rings on separator cap and separator element filter and oil lightly to make installation easier.
4. Insert and push the new element in place.
5. Reinstall the cap. Hand tighten using a 100mm maximum length, 6mm diameter pin in the radially drilled hole.

DRIVE COUPLING INSTALLATION

Refer to Figure 8-6. For coupling installation the tools required will be one set of metric Allen

Figure 8-5 Separator Element



*Repair Kit P/N 02250106-791

ILLUSTRATIONS AND PARTS LIST

10.6 INLET FILTER, COMPRESSOR HOUSING/SUMP AND PARTS- BASIC

<i>key number</i>	<i>description</i>	<i>part number</i>	<i>quantity</i>
1	filter, air (I)	02250069-934	1
2	tee, branch swivel 1/4" T x 1/8" NPT	250025-834	1
3	hose, nylon	842215-004	3
4	washer, 8MM	865408-170	3
5	plug, oil fill hex	250039-359	1
6	plug, push-lok 1/4" tube	02250052-477	2
7	elbow, 90_ 1/8" NPT x 1/4" T	250025-849	1
8	plate, identification	250026-859	1
9	screw, drive #8 x 3/8"	839608-060	2
10	capscrew, socket M16 x 70MM	829316-070	1
11	housing, inlet plate	02250055-933	1
12	connector, tube 3/4"	02250048-819	2
13	capscrew, socket M16 x 60MM	829316-060	2
14	adapter, oil filter	250025-914	1
15	element, fluid filter (II)	250026-982	1
16	tube, oil drain extension	02250046-999	1
17	tee, tube 3/4"	811412-075	1
18	cap, tube 3/4"	250042-615	1
19	capscrew, M16 x 100MM	829316-100	16
20	housing, bell	250034-035	1
21	decal, fluid level	see decal section	1
22	elbow, 90_ 1/4" x 1/4"	250025-850	3
23	sender, temperature gauge	02250069-626	1
24	nut, hex M20 thin	02250055-630	1
25	bail, lifting	02250054-858	1
26	plug, 1/2"-14 x M20	02250054-857	1
27	tee, swivel	02250025-835	1
28	valve, pressure relief 1/2" (200 PSI)	250006-938	1
29	cap, separator element	250035-590	1
30	o-ring, viton 3 1/8" x 1/8"	826502-235	1
31	element, separator (III)	02250106-789	1
32	o-ring, viton 1 7/16" x 3/32"	826502-127	1
33	capscrew, socket M8 x 60MM	839308-060	3

(I) For maintenance on air filter, order repair kit no. 02250094-135.

(II) For maintenance on fluid filter, order repair kit no. 02250050-602.

(III) For maintenance on separator element, order repair kit no. 02250106-791.

PLEASE NOTE: WHEN ORDERING PARTS, INDICATE SERIAL NUMBER OF COMPRESSOR/DRYER.