

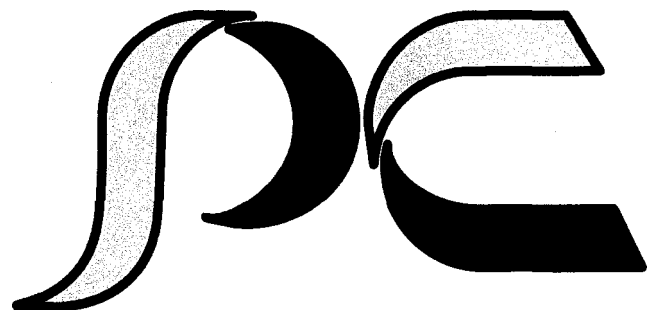
# **PARTS CATALOG**

## **SCREW COMPRESSOR**

**PDS390S -4B1 /5B1**

**PDS390SC -4B1/5B1**

**PDS390SD -4B1/5B1**

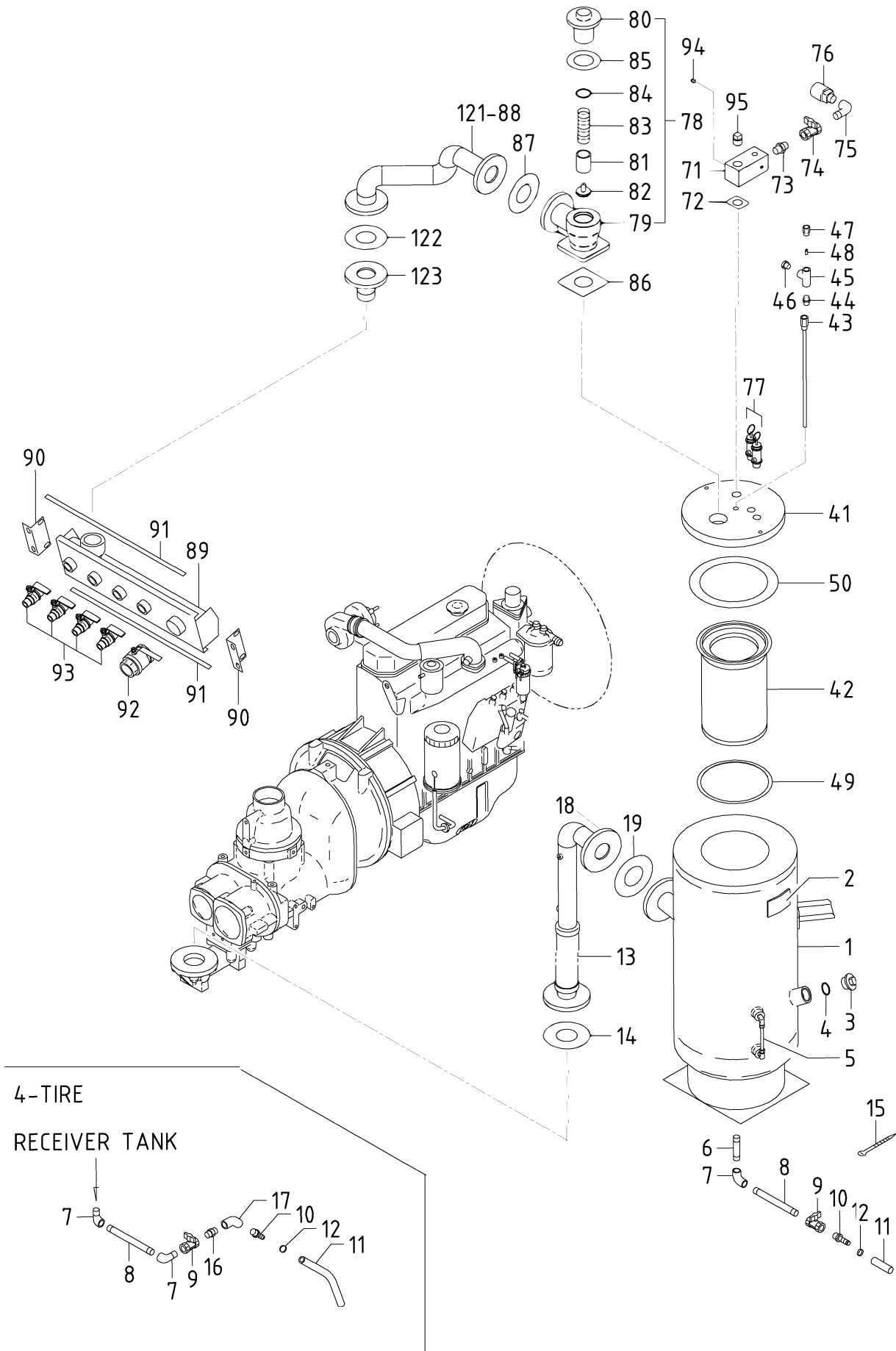


**HOKUETSU INDUSTRIES CO., LTD.**

## 適用型式 FOR MODEL

型 式 MODEL	適 用 号 機 SER. NO.
PDS390S-4B1 (TRAILER TYPE)	72-4B10051~
PDS390SC-4B1 (TRAILER·AFTERCOOLER TYPE)	72C4B10051~
PDS390SD-4B1 (TRAILER·DRY AIR TYPE)	72A4B10051~
PDS390S-4B1 (TRAILER[HIGH PRESSURE]TYPE)	79-4B10051~
PDS390SC-4B1 (TRAILER·AFTERCOOLER[HIGH PRESSURE]TYPE)	79C4B10051~
PDS390S-5B1 (BOX TYPE)	72-5B10051~
PDS390SC-5B1 (BOX·AFTERCOOLER TYPE)	72C5B10051~
PDS390SD-5B1 (BOX·DRY AIR TYPE)	72A5B10051~
PDS390S-5B1 (BOX[HIGH PRESSURE]TYPE)	79-5B10051~

33 - 00 RECEIVER, SEPARATOR & SERVICE HEADER



33 - 00 RECEIVER, SEPARATOR & SERVICE HEADER

見出番号 Ref. NO.	部品番号 Part NO.	互換性 Inter- change ability	部 品 名 称 Part Name	数量 Q'ty	変 更 C/H	備 考 Remarks
TRAILER BOX						
15	03425 00001		Vinyl clip	1		w/o TIRE HOUSE
15	03425 00001		Vinyl clip	2		w. TIRE HOUSE
16	03731 42004	C	Nipple	1	M40	w. TIRE HOUSE
17	03731 23004	C	Elbow	1	M40	w. TIRE HOUSE
18	02135 16060		Bolt	4		CLASS II JAP. REG.
	02912 06016		Nut	4		CLASS II JAP. REG.
	03115 02016		Spring washer	4		CLASS II JAP. REG.
	03116 12016		Plain washer	8		CLASS II JAP. REG.
18	02135 16060		Bolt	4		SEMI ASME
18 -1	02135 16050	B	Bolt	4	M70	SEMI ASME
	02912 06016	C	Nut	4	M70	SEMI ASME
	03115 02016		Spring washer	4		SEMI ASME
	03116 12016	C	Plain washer	8	M70	SEMI ASME
	03116 12016	D	Plain washer	4	M70	SEMI ASME
19	03737 15508		Gasket	1		CLASS II JAP. REG.
19 -1	35424 06000	A	Gasket	1	M73	CLASS II JAP. REG.
19	03737 15508		Gasket	1		SEMI ASME
19 -1	35424 06000	A	Gasket	1	M73	SEMI ASME
19 -2	03402 15080	B	O-ring	1	M70	SEMI ASME
34 - 00 SEPARATOR GROUP セパレータグループ						
41	34250 23800		Cover	1		
	02135 10050	C	Bolt	8	M 3-2	
	02135 10060	D	Bolt	8	M 3-2	
	03115 02010		Spring washer	8		
	03116 12010		Plain washer	8		
41 -1	34250 26700	B	Cover	1	M73	CLASS II JAP. REG.
	02135 12060	B	Bolt	8	M73	CLASS II JAP. REG.
	03115 02012	A	Spring washer	8	M73	CLASS II JAP. REG.
	03116 12012	A	Plain washer	8	M73	CLASS II JAP. REG.
41 -1	34250 26700	B	Cover	1	M73	SEMI ASME (KE)
41 -2	34250 32100	B	Cover	1	M70	SEMI ASME (KE)
41 -3	34250 32500	B	Cover	1	M71	SEMI ASME (EURE) (SIN.)
41 -3	34250 32500	B	Cover	1	M75-1	SEMI ASME (EURE) (MAS.)
	02102 12055	B	Bolt	8	M73	SEMI ASME (KE)
	02102 12060	B	Bolt	8	M70	SEMI ASME (KE)
	34262 03400	B	Bolt	8	M71	SEMI ASME (EURE) (SIN.)
	34262 03400	B	Bolt	8	M75-1	SEMI ASME (EURE) (MAS.)
	03115 02012	A	Spring washer	8	M73	SEMI ASME
	03116 12012	A	Plain washer	8	M73	SEMI ASME
42	34220 14601		Separator	1		Incl. No. 49~50
42 -1	34220 14900	B	Separator	1	M24	
42 -2	34220 16501	A	Separator	1	M275-1	
43	37731 08001		Nipple	1		CLASS II JAP. REG.
43	37731 08001		Nipple	1		SEMI ASME
43 -1	37731 14200	B	Nipple	1	M70	SEMI ASME
44	22200 07400		Check valve ass'y	1		
44 -1	22200 17200	A	Check valve ass'y	1	M139	
45	03731 30002		Tee	1		
46	03732 00201		Bush	1		