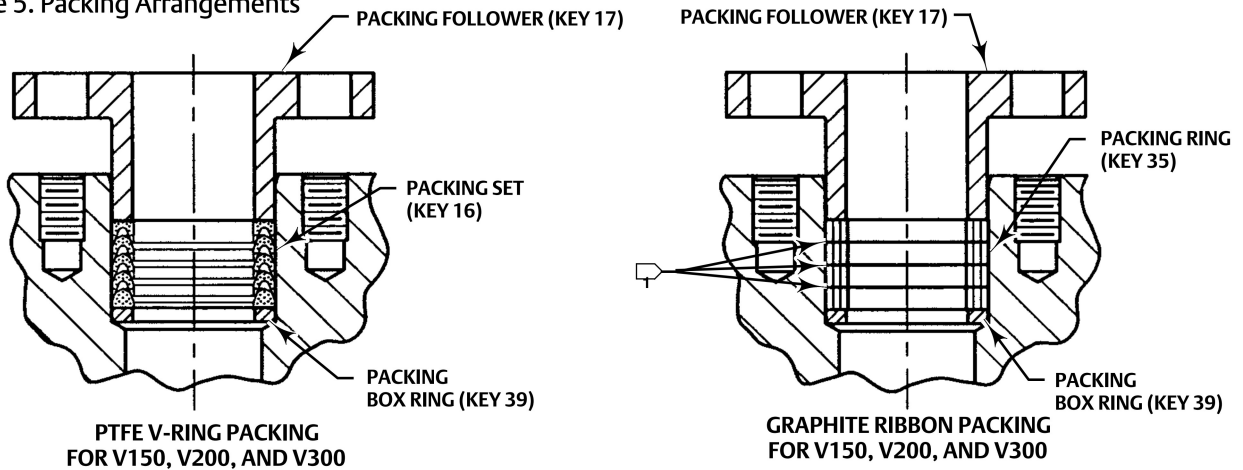


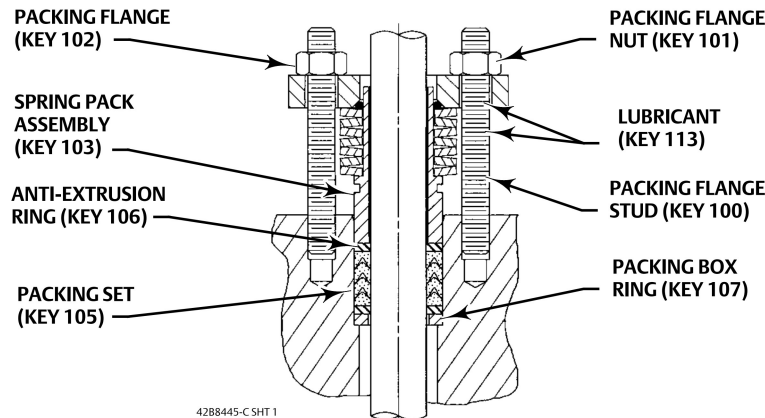
Figure 5. Packing Arrangements



NOTE:
 1 INCLUDES ZINC WASHERS (KEY 36) FOR GRAPHITE RIBBON PACKING ONLY.

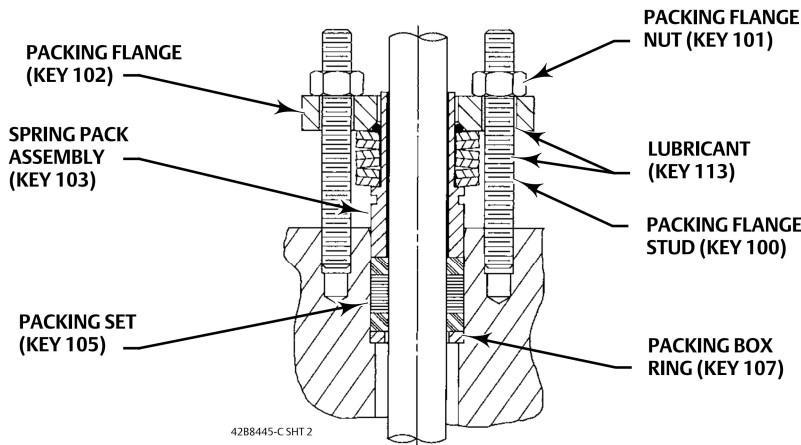
2885170

STANDARD PACKING



4288445-C SHT 1

ENVIRO-SEAL PTFE PACKING SYSTEM



B2412-1

4288445-C SHT 2

ENVIRO-SEAL GRAPHITE PACKING SYSTEM