


**NTN BEARING CORPORATION OF AMERICA**

Head Office

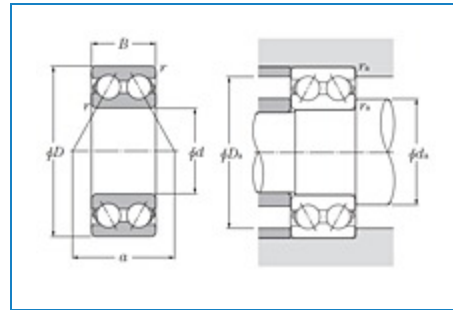
1600 E. Bishop Court, P.O. Box 7604

Mount Prospect, IL 60056-7604, U.S.A.

**Phone:** 847-298-7500

**Fax:** 847-699-9744

**Toll Free:** 800-323-2358

**Email:** [mkt@ntnamerica.com](mailto:mkt@ntnamerica.com)
**Website:** [www.ntnamericas.com](http://www.ntnamericas.com)
**Item # 3311C3, Double Row Angular Contact Ball Bearing - Open Type**

[Order Now](#) | [Technical Specifications](#) | [Dimensional Specifications](#)
**Order Now**
**Ordering Options**

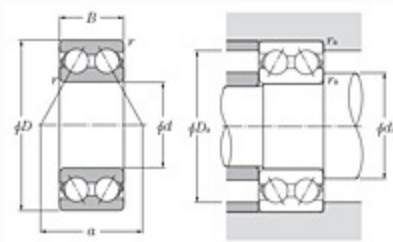
[Order Online through NTN DOL](#)  
[Contact NTN Customer Relations](#)  
[Search for a Licensed Distributor](#)

**Technical Specifications**

<b>Type</b>	Angular Contact Ball Bearing
<b>Bore Type</b>	Round
<b>Outside Ring Type</b>	Straight
<b>Material</b>	High Carbon Chrome Steel
<b>Cage Type</b>	Pressed

<b>Cage Material</b>	Steel
<b>Ball Material</b>	Steel
<b>Precision</b>	Class 0
<b>Configuration</b>	Two
<b>Radial Internal Clearance</b>	C3
<b>Static Load Rating</b>	25900 lbf 115000 N 115.00 kN
<b>Dynamic Load Rating</b>	23200 lbf 103000 N 103.00 kN
<b>Enclosure</b>	Open
<b>Weight</b>	5.445 lb 2.470 kg
<b>Operating Temperature Range</b>	-40 to 250 °F -40 to 120 °C

## Dimensional Specifications



Double Row Angular Contact Ball Bearing - Open Type - Dimensions

<b>d</b>	1.9685 in 50.000 mm
<b>D</b>	4.7244 in 120.000 mm
<b>B</b>	1.9370 in 49.200 mm
	0.0787 in

<b>r</b>	0.0787 in 2.000 mm
<b>Contact Angle</b>	32 °
<b>a</b>	2.9528 in 75.000 mm
<b>da min</b>	2.5591 in 65.000 mm
<b>Da max</b>	4.3307 in 110.000 mm
<b>ras max</b>	0.0787 in 2.000 mm