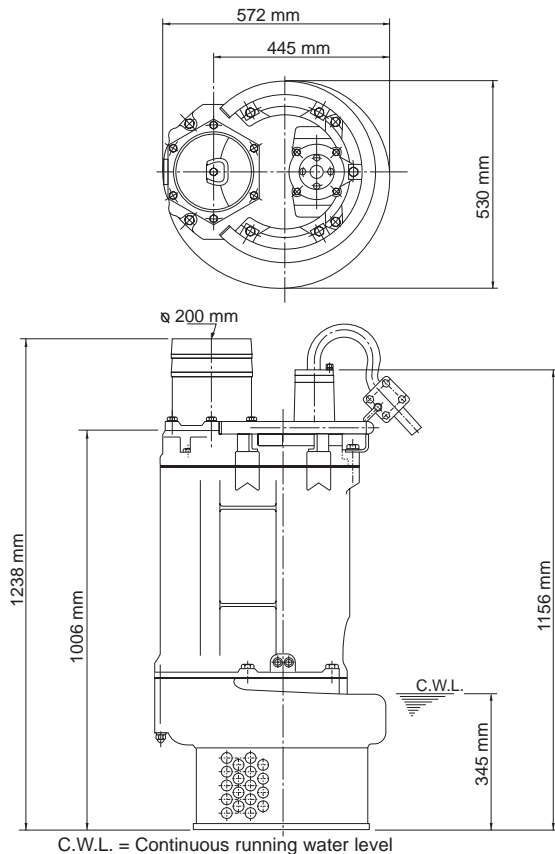
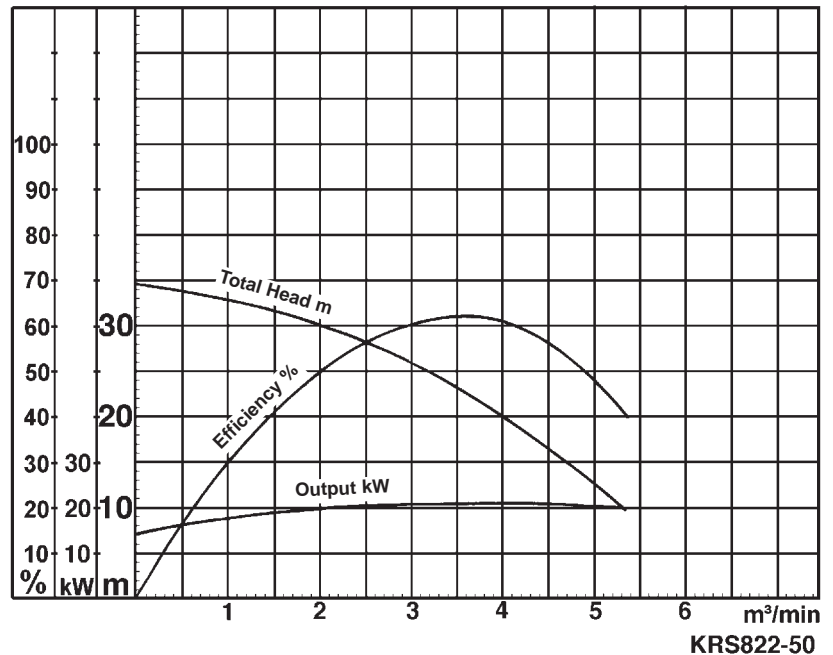


Data Sheet KRS822-50



KRS822



Classification

Electric submersible pump
 Protection class IP68
 Depth of submersion max. 40m
 Open type impeller
 Max. solid handling 25mm
 Suitable for rain water, ground water, sand carrying water

Electric Motor

Dry-type submersible induction motor,
 Insulation class F, 4 poles, 1470 r.p.m.
 Direct on line start
 Voltage: 400V, 50Hz, 3-phase
 Power input: 25,4kW
 Power output: 22,0kW
 Nominal current: 42,0A
 Start current: 325,0A

Electric Cable

20mH07RN-F4Cx10mm²

Motor Protection

Circle thermal protector
 (snap-action bi-metal device)

Shaft Seal

Double mechanical seal in oil bath
 additional lubrication by oil lifting device
 Primary Seal:
 silicon carbide on silicon carbide
 Secondary Seal:
 silicon carbide on silicon carbide

Bearings

Shielded ball bearings, maintenance-free

Materials

Impeller:	FCD700 (EN-GJS-700-2)
Casing:	FC200 (EN-GJL-200)
Suction Cover:	FC200 (EN-GJL-200)
Motor frame:	FC200 (EN-GJL-200)
Shaft:	SUS420J2 (EN-X30Cr13)

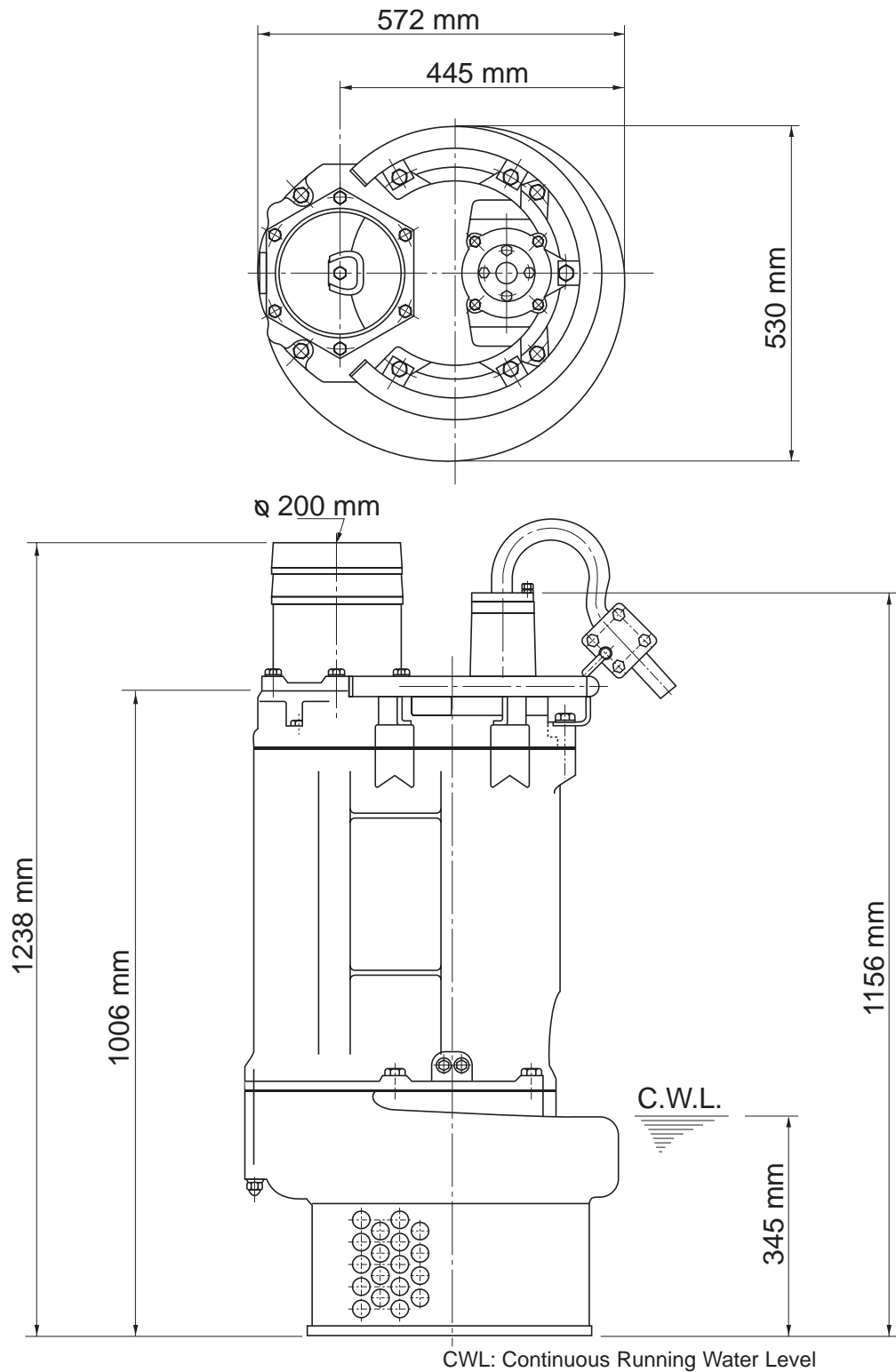
Discharge Connection

8" (200mm) hose coupling

Weight

390 kg (dry weight of the pump without cable)

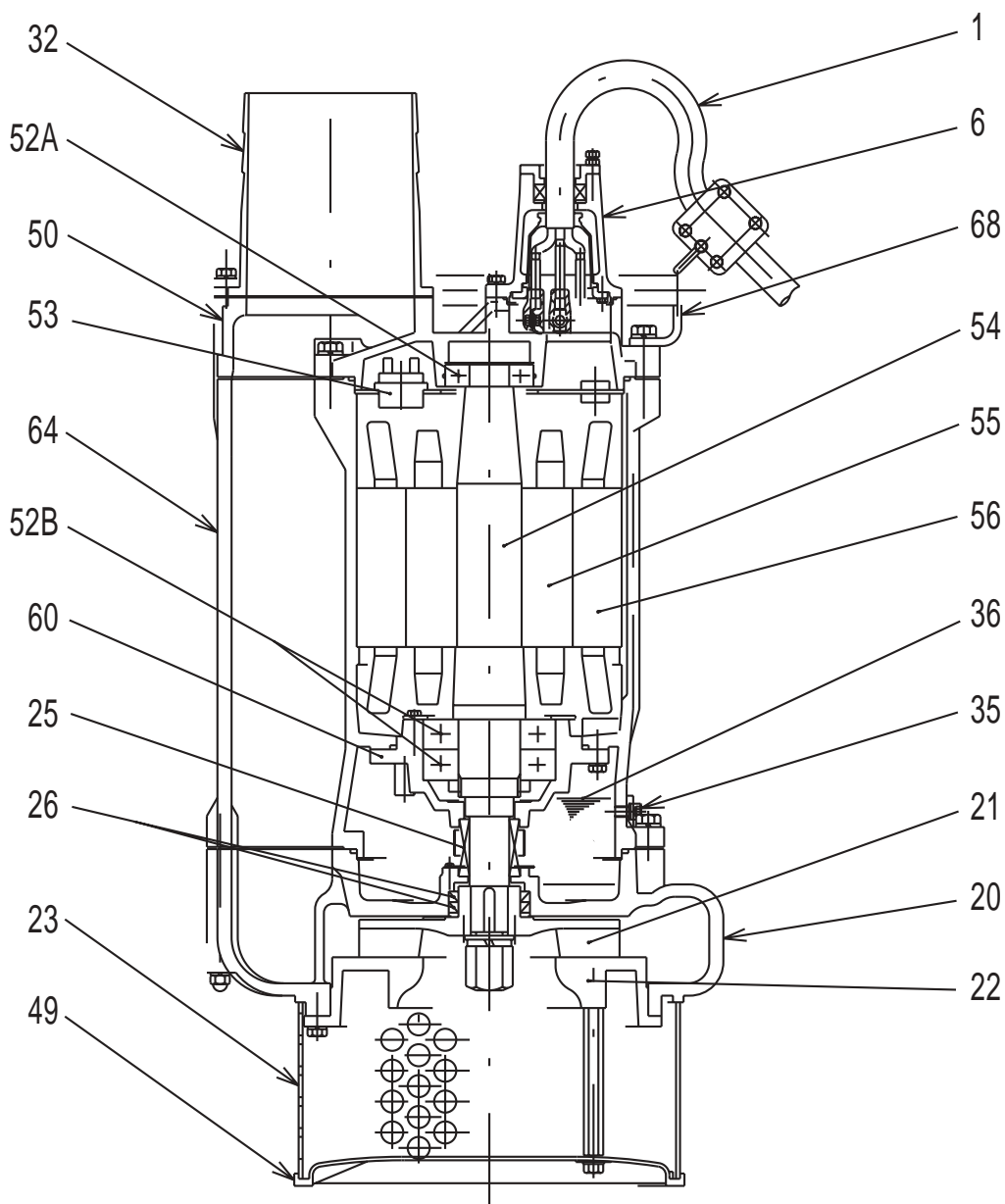
Dimensional Drawing KRS822-50



CWL: Continuous Running Water Level

KRS822

Sectional Drawing KRS822-50



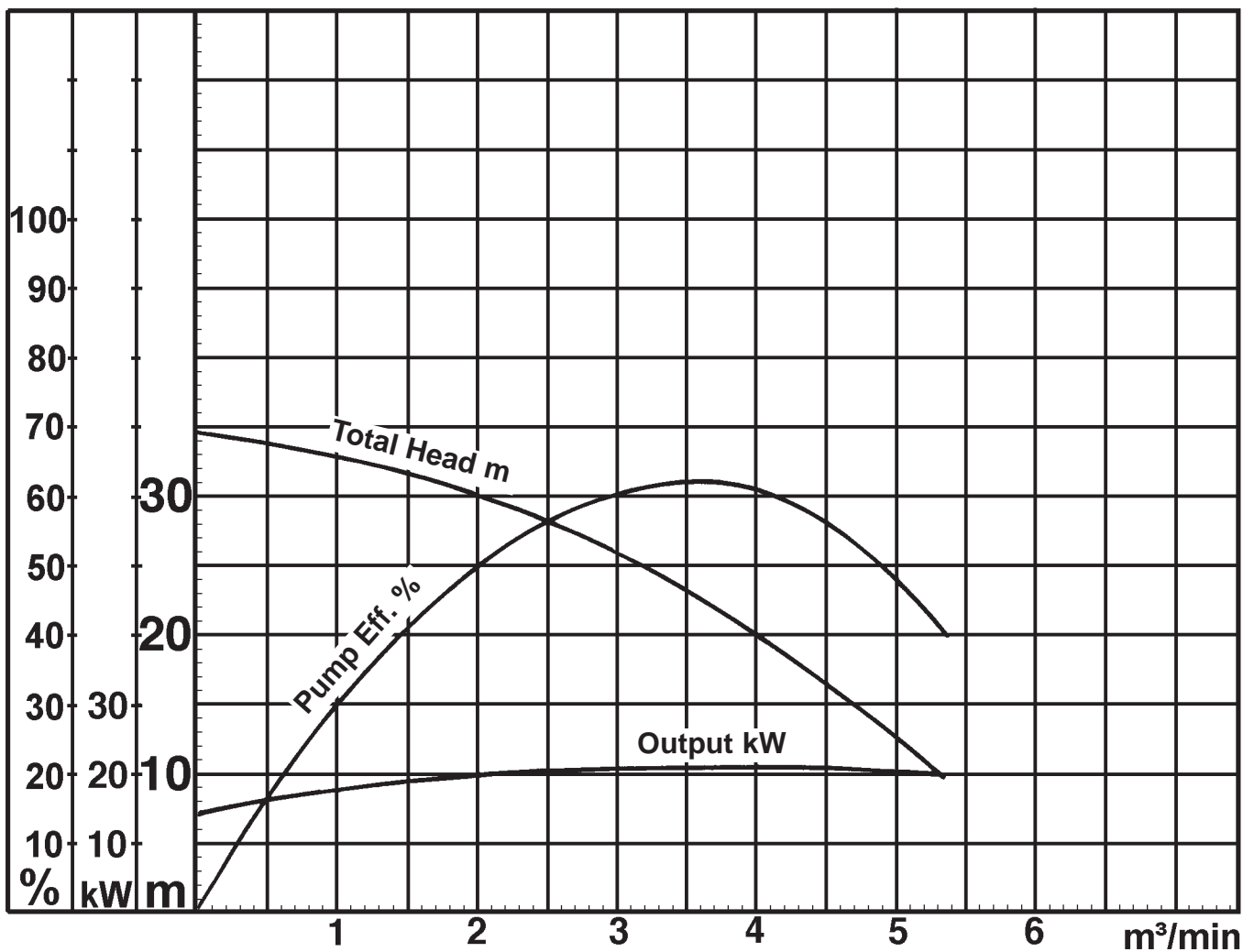
KRS822

No.	Description	Qty.	Remarks	No.	Description	Qty.	Remarks
1	Cabtyre Cable	1	20m 4Cx22mm ²	52B	Lower Bearing	1	6314ZZC3
6	Stuffing Box	1	FC200 (EN-GJL-200)	53	Motor Protector	1	
20	Pump Casing	1	FC200 (EN-GJL-200)	54	Shaft	1	SUS420J2 (EN-X30Cr13)
21	Impeller	1	FCD700 (EN-GJS-700-2)	55	Rotor	1	
22	Suction Cover	1	FC200 (EN-GJL-200)	56	Stator Complete	1	
23	Strainer	1	Steel Plate	60	Bearing Housing	1	FC200 (EN-GJL-200)
25	Mechanical Seal	1	H-45	64	Motor Frame	1	FC200 (EN-GJL-200)
26	Oil Seal	1	TC-709212	68	Handle	1	Galvanized Steel Pipe
32	Hose Coupling	1	FC200 (EN-GJL-200)				
35	Oil Plug	1	SUS304 (EN-X5CrNi18-10)				
36	Lubricant		Turbine Oil (ISO VG32)				
49	Bottom Plate	1	FCD (EN-GJS)				
50	Motor Bracket	1	FC200 (EN-GJL-200)				
52A	Upper Bearing	1	6309ZZC3				

Pump Performance Curve

KRS822-50

Discharge Bore	200 mm
Total Head	30/20 m
Capacity	2,0/4,0 m ³ /min
Motor Output	22,0 kW
Motor Input	25,4 kW
Phase	3
Voltage	400 V
Frequency	50 Hz
Rated Current	42,0 A
Starting Current	325,0 A
Poles	4
Revolution	S.S. 1470 r.p.m.
Starting Method	direct on line
Insulation Class	F



KRS822-50