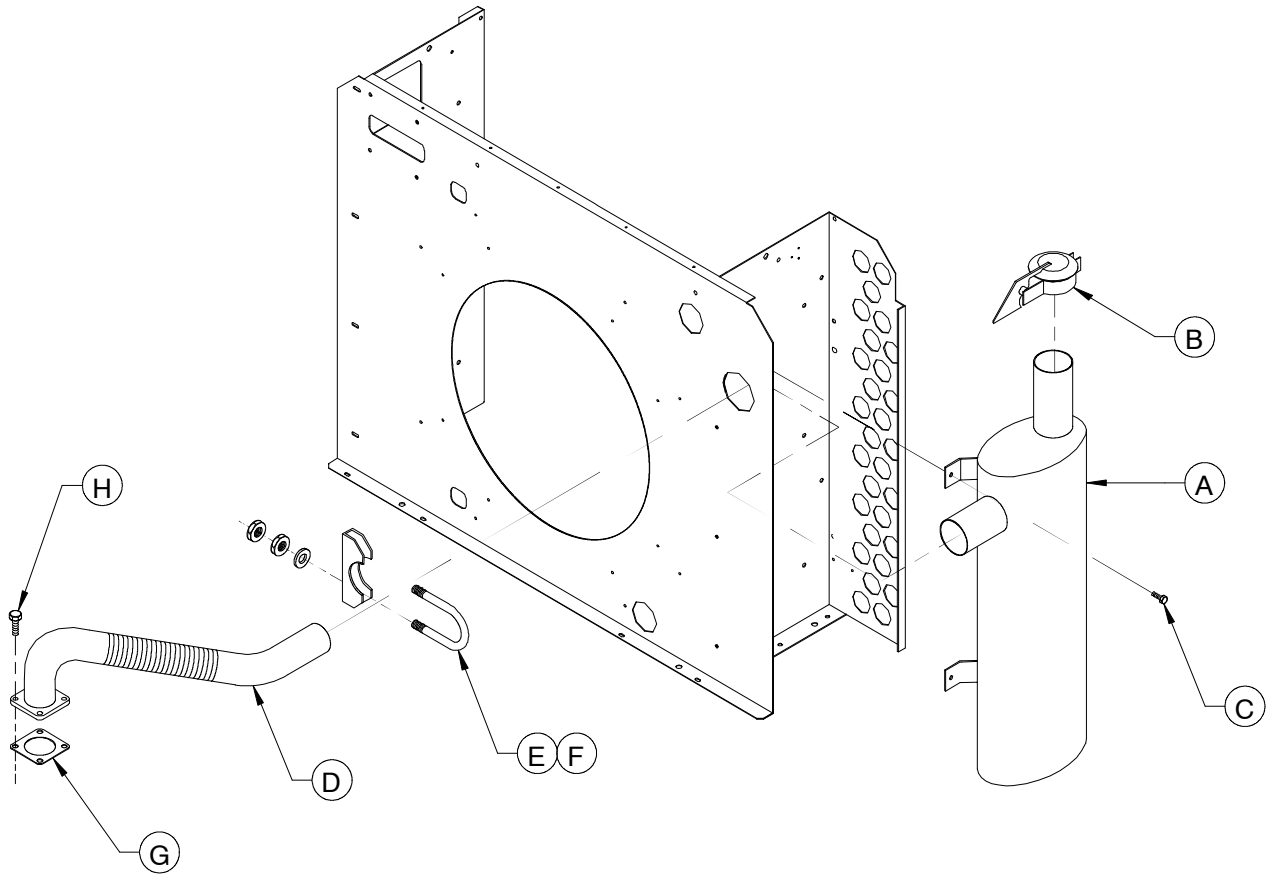


DRAWBAR END



FOR P250WCU ONLY

INGERSOLL-RAND COMPANY		
PORTABLE COMPRESSOR DIVISION		
DATE/DWN BY:	DESCRIPTION	
12/6/95 bc	EXHAUST COMPLETE	
MODEL NO.	MANUAL NO.	DATE/REV:
P250WCU	35392877-046	3/97 A

ITEM	C.P.N.	QTY	DESCRIPTION
A	36894244	1	MUFFLER
B	36879021	1	CAP, RAIN
C	96702055	4	SCREW, HEX M8-125 X 20
D	36877827	1	TUBE, EXHAUST
E	35209048	1	CLAMP, SADDLE
F	95922894	4	NUT 3/8-16
G	36845378	1	GASKET
H	35611995	4	SCREW, SOCKET HEAD M10-150 X 25

FOR P250WCU ONLY

INGERSOLL-RAND COMPANY		
PORTABLE COMPRESSOR DIVISION		
DATE/DWN BY:	DESCRIPTION	
12/6/95 bc	EXHAUST COMPLETE	
MODEL NO.	MANUAL NO.	DATE/REV:
P250WCU	35392877-047	11/97 B