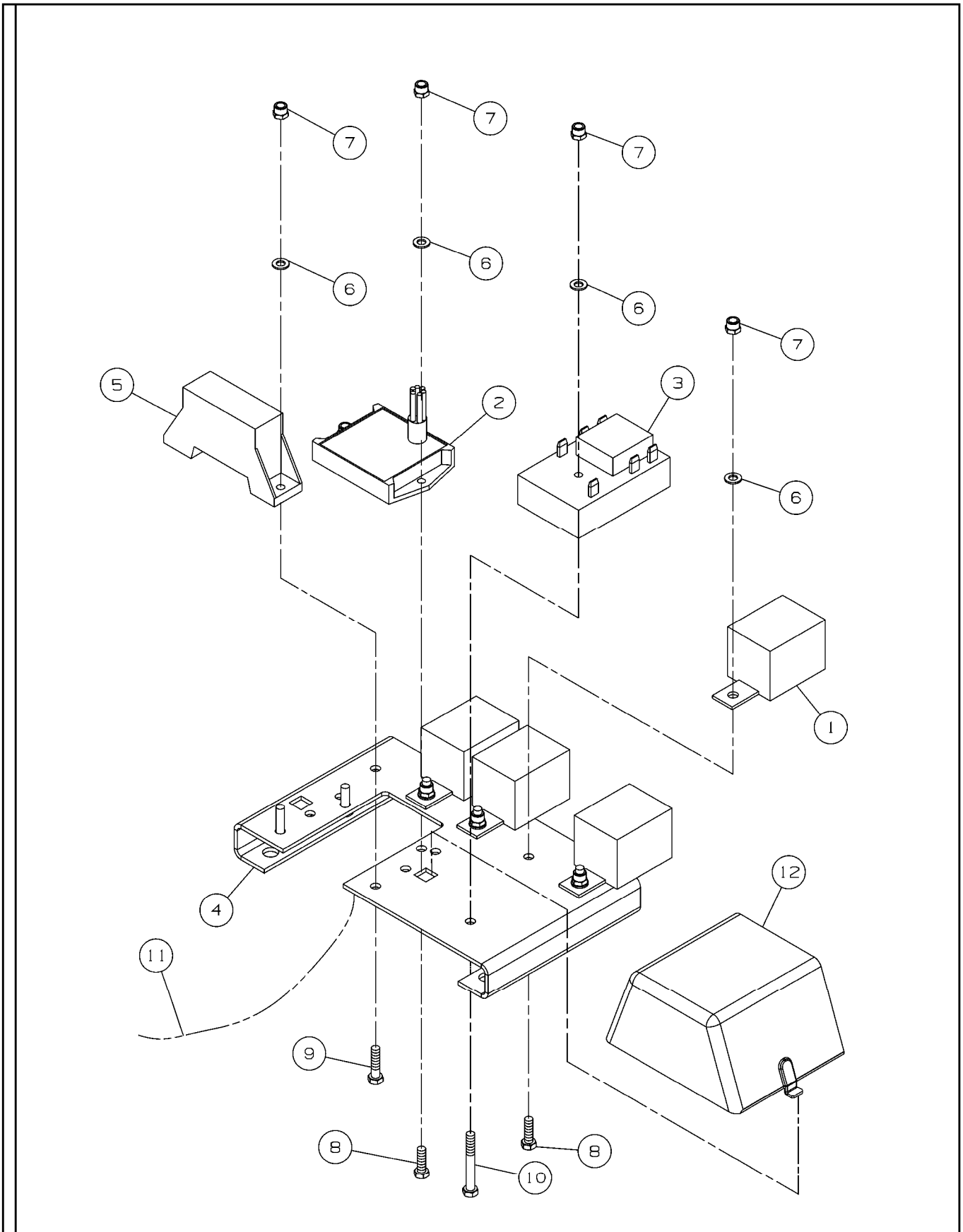


# FUSE PLATE ASSEMBLY



## FUSE PLATE ASSEMBLY

ITEM	COMM.NO.	DESCRIPTION	QTY	DIMENSIONS/NOTES
		BOM 59270116		
1	58965377	Power Relay, Starter Relay & Brake Latching Relay	3	
2	54530415	Pull Coil Timer Coil	1	
3	59151498	Timer Module	1	
4	59274837	Fuse Mounting Plate	1	
5	59434290	Fuse Block	1	
-	59325712	Fuse	3	10 Amp
6	96738554	Flatwasher	9	M5
7	96702865	Nut	9	M5-0.8
8	96705728	Screw	6	M5 x 16
9	96705736	H.H.C.S.	2	M5-0.8 x 20
10	96705751	H.H.C.S.	1	M5 x 40
11	59270181	Main Wire Harness	1	
12	59274811	Fuse Cover	1	