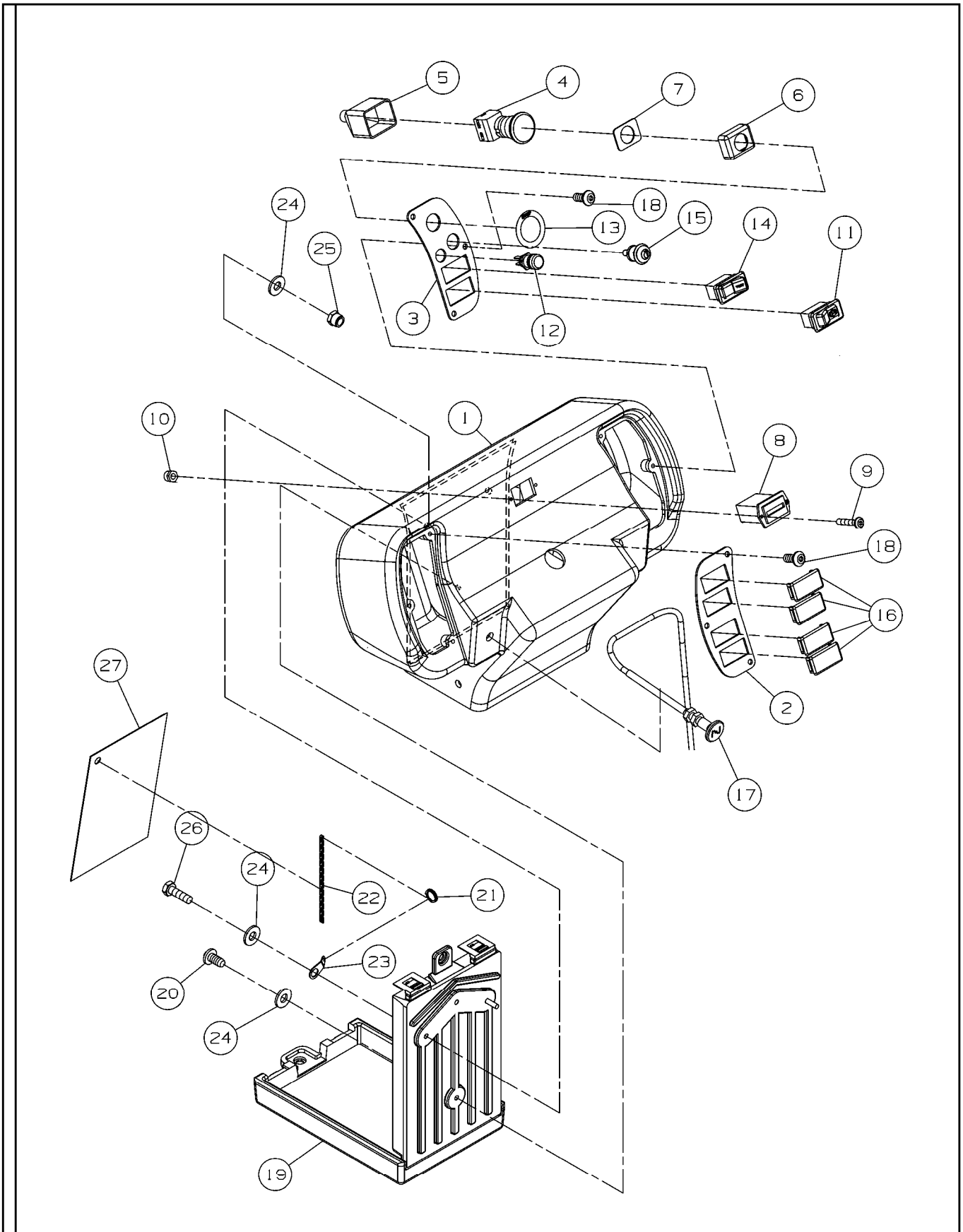


INSTRUMENT PANEL ASSEMBLY



INSTRUMENT PANEL ASSEMBLY

ITEM	COMM.NO.	DESCRIPTION	QTY	DIMENSIONS/NOTES
		BOM 59273391		
1	59212308	Instrument Panel	1	
2	59184069	Switch Panel, LH	1	
3	59184127	Emergency Panel	1	
4	59111450	Emergency Stop Switch	1	
5	59108605	Dust Boot, Bottom	1	
6	59108100	Dust Boot, Top	1	
7	59109116	Washer	1	
8	59165001	Hourmeter	1	
9	59229492	B.H.C.S.	2	M3-0.5 x 16
10	59137448	Locknut	2	M3-0.5
11	59214734	Parking Brake Switch	1	
12	58771668	Push Button Switch	1	
13	59239897	Decal: Stop	1	
14	59214742	Brake Test Switch	1	
15	59214726	Warning Indicator	1	
16	58835398	Ether Plug	4	
17	59255133	Choke Cable	1	
18	59148569	B.H.C.S.	6	M5-0.8 x 12
19	59496182	Manual Case	1	
20	54468509	Tapping Screw	1	1/4"
21	58880303	Split Ring	1	
22	58874389	Chain	1	
23	58874397	Formed Washer	1	
24	95922324	Flatwasher	5	1/4
25	96704598	Locknut	2	M6
26	96714472	Bolt	2	M6-1.0 x 20
27	59252833	Safety Label Manual	1	