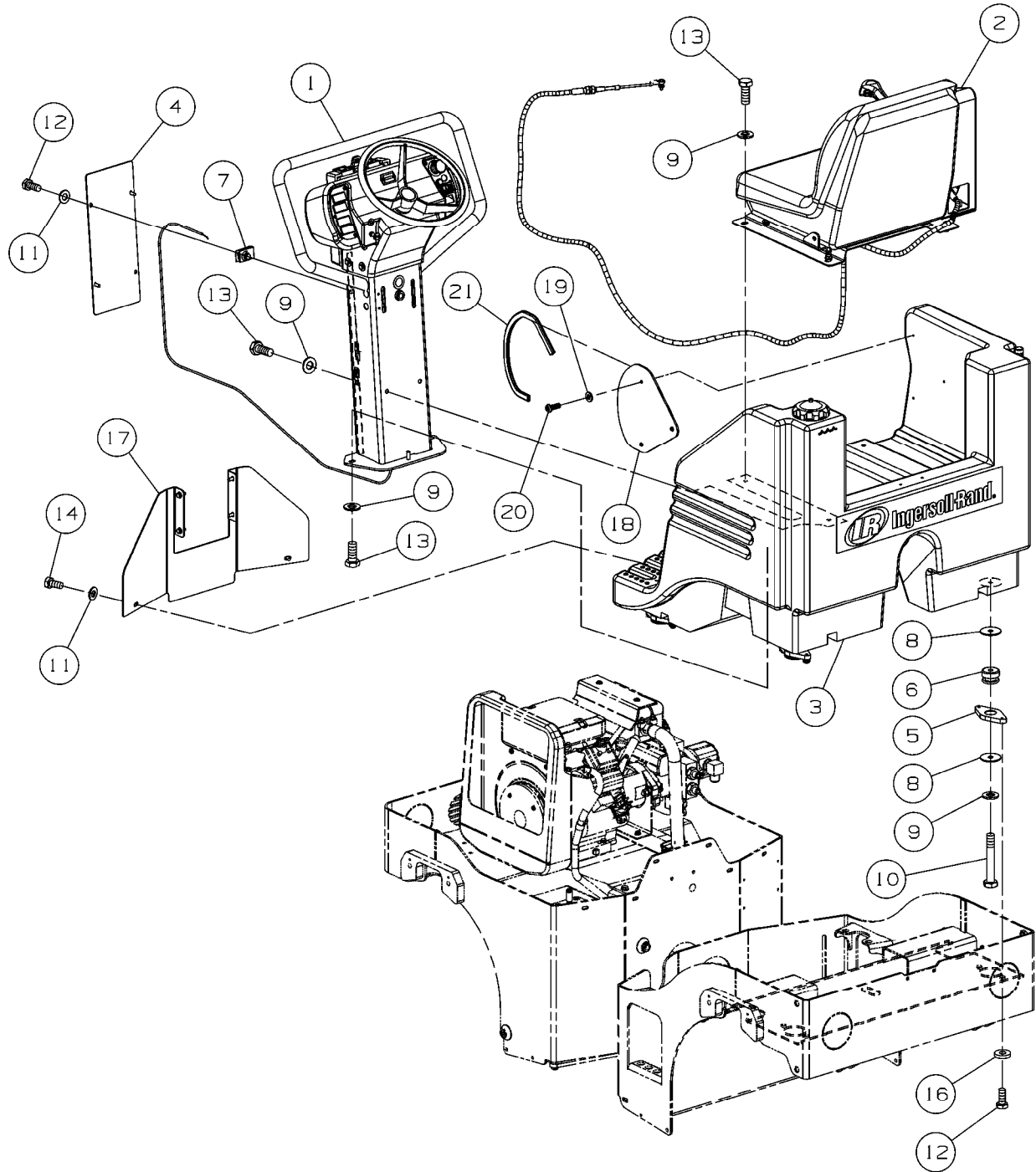


OPERATORS PLATFORM INSTALLATION



OPERATORS PLATFORM INSTALLATION

ITEM	COMM.NO.	DESCRIPTION	QTY	DIMENSIONS/NOTES
		BOM 59229971		
1	N.SV.A.	Pedestal Assembly (Effective with s/n 163807)	1	See Section - D.2
-	N.SV.A.	Pedestal Assembly (Prior to s/n 163807)	1	See Section - D.3
2	N.SV.A.	Seat Assembly	1	See Section - D.4
3	59269597	Operators Platform/Watertank	1	
-	54489000	-Watertank Cap	1	
-	54494042	-Plug	1	
4	59214858	Pedestal Cover	1	
5	59184077	Isolator Mount	4	
6	59653543	Shock Mount	4	
7	59214650	U-nut	8	
8	59653188	Washer	8	
9	96741046	Hardened Flatwasher	12	M10
10	96715552	H.H.C.S.	4	M10-1.5 x 65
11	96741038	Hardened Flatwasher	10	M8
12	96702824	H.H.C.S.	18	M8 x 20
13	96702287	H.H.C.S.	8	M10 x 25
14	96702816	H.H.C.S.	2	M8 x 16
16	96712674	Hardened Washer	8	
17	59259168	Pedestal Cover	1	
18	59276873	Guard	1	
19	96741053	Flatwasher	3	M6
20	96727987	B.H.C.S.	3	M6 x 16
21	58926148	Trim	1	