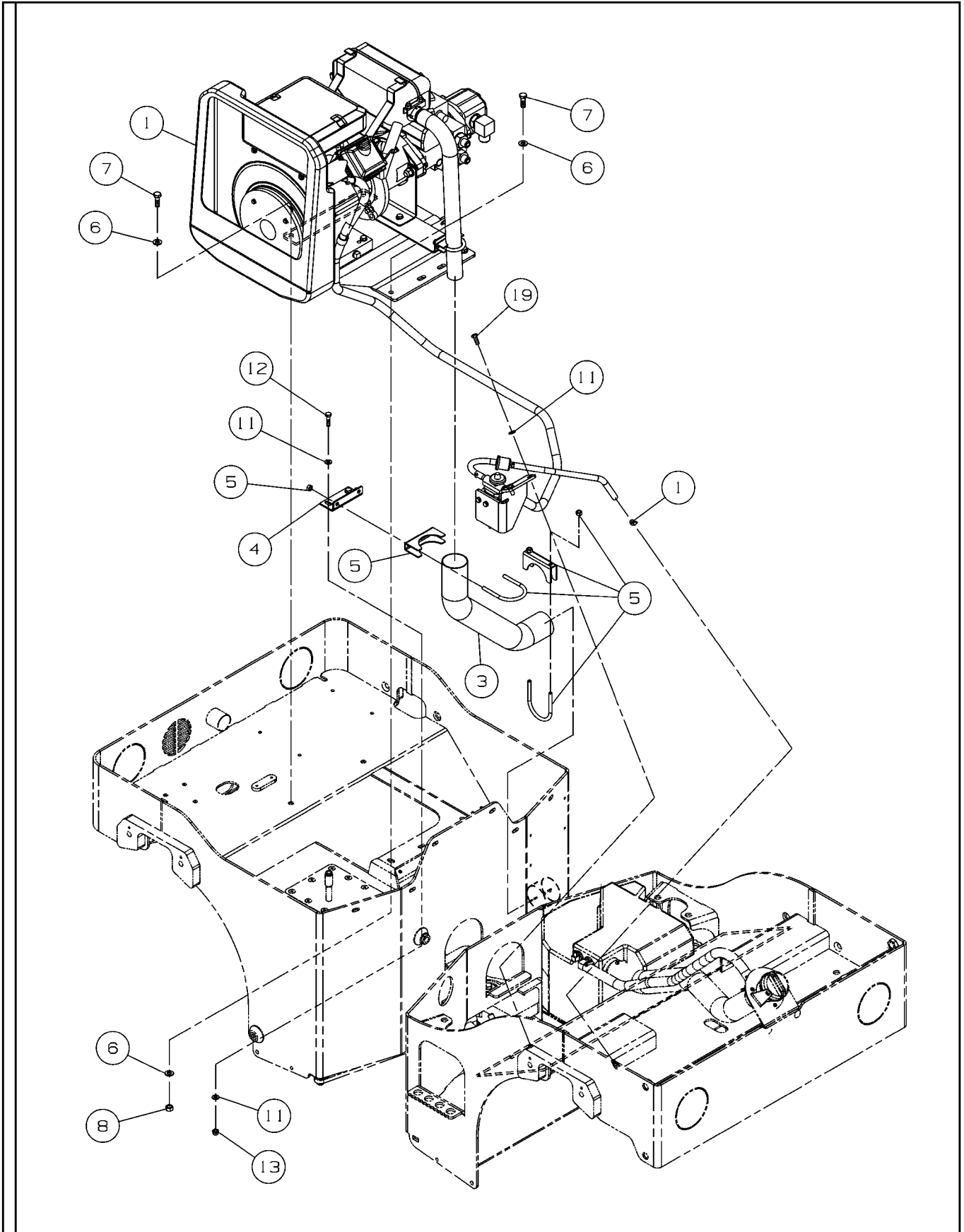


# ENGINE INSTALLATION



ENGINE INSTALLATION

ITEM	COMM.NO.	DESCRIPTION	QTY	DIMENSIONS/NOTES
		BOM 59256214		
1	<b>N.SV.A.</b>	<b>Engine Subassembly (Effective s/n 165817)</b>	<b>1</b>	<b>See Section - C.2</b>
-	<b>N.S.V.A.</b>	<b>Engine Subassembly (Prior to s/n 165817)</b>	<b>1</b>	<b>See Section - C.3</b>
3	59258806	Exhaust Pipe	1	
4	59258814	Exhaust Frame Bracket	1	
5	59495010	Clamp	2	
6	96741046	Hardened Flatwasher	6	M10
7	96701917	H.H.C.S.	4	M10 x 30
8	96704812	Hex Nut	2	
11	96741038	Hardened Flatwasher	6	M8
12	96705587	H.H.C.S.	2	M8 x 30
13	96704606	Locknut	2	M8
19	96702824	H.H.C.S.	2	M8 x 20