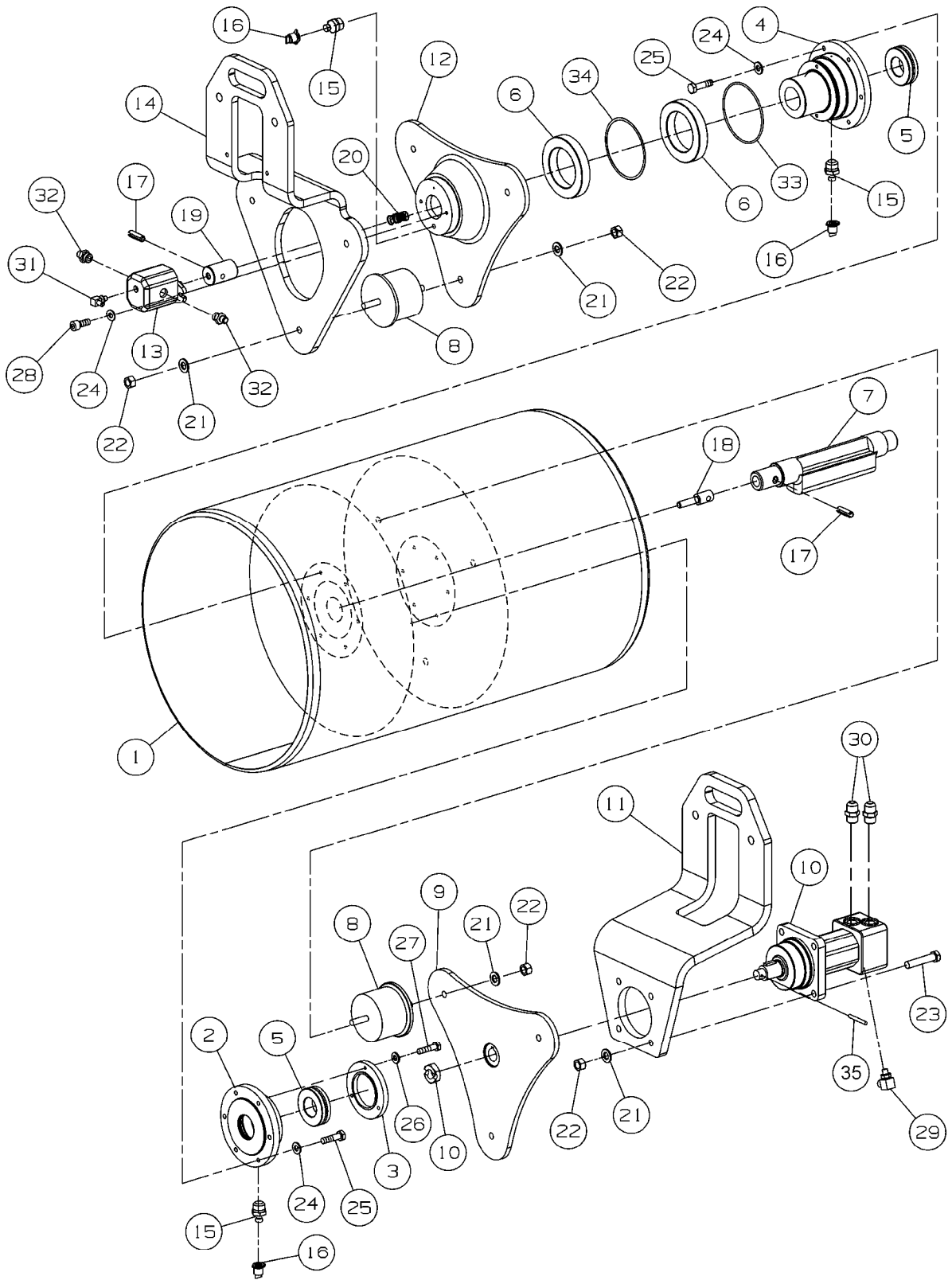


FRONT DRUM ASSEMBLY



FRONT DRUM ASSEMBLY

ITEM	COMM.NO.	DESCRIPTION	QTY	DIMENSIONS/NOTES
		BOM 59212647		
1	59202267	Front Drum	1	
2	59183285	Eccentric Bearing Housing - Propulsion	1	
3	59275867	Eccentric Bearing Cover Plate	1	
4	59258483	Eccentric Bearing Housing - Vibration	1	
5	59211623	Eccentric Bearing	2	
6	59211615	Carrier Bearing	2	
7	59211417	Eccentric Shaft	1	
8	59211367	Isolator	6	
9	59273409	Front Drive Plate(Effective with s/n 166740)	1	
-	59211078	Front Drive Plate(Prior to s/n 166739)	1	
10	54596648	Drive Motor (Effective with s/n 166740)	1	See Breakdown - I.1
-	54538244	Drive Motor (Prior to s/n 166739)	1	See Breakdown - I.2
11	59273235	Drum Mounting Leg - Drive Side	1	
12	59266270	Vibration Mounting Plate	1	
13	59173526	Vibration Motor	1	
-	54507231	-Seal Kit	1	
14	59271510	Drum Leg - Vibration	1	
15	95201547	Grease Fitting	3	
16	50270248	Cap	3	
17	96737135	Slotted Spring Pin	2	
18	59173518	Spline Shaft	1	
19	59173534	Eccentric Shaft Coupling	1	
20	59211458	Eccentric Coupling Spring	1	
21	96738596	Hardened Flatwasher	13	M12
22	96704291	Hex Nut	13	M12
23	96705066	H.H.C.S.	4	M12-1.75 x 60mm
24	96741038	Hardened Flatwasher	14	M8
25	96705587	H.H.C.S.	12	M8 x 30
26	96741053	Hardened Flatwasher	3	M6
27	96701461	H.H.C.S.	3	M6 x 25
28	96708052	S.H.C.S.	2	M8 x 20
29	95653614	Adapter	1	
30	95303384	Adapter	2	
31	95341665	Adapter	1	
32	95356903	Adapter, Straight	2	
33	95026498	O-ring	1	
34	59259838	Spacer	1	
35	96733241	Roll Pin	1	4 x 40