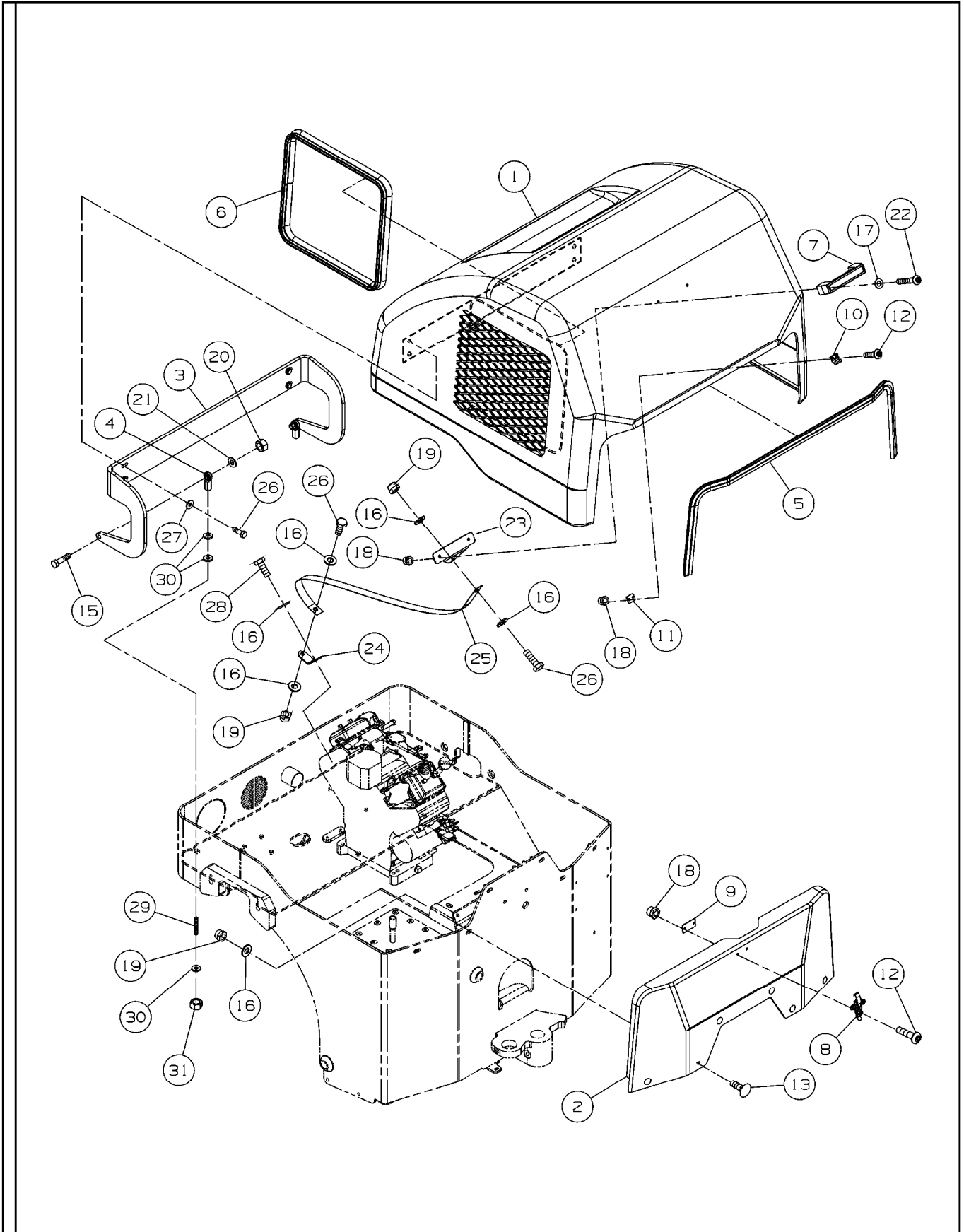


HOOD AND TRIM INSTALLATION



HOOD AND TRIM INSTALLATION

ITEM	COMM.NO.	DESCRIPTION	QTY	DIMENSIONS/NOTES
		BOM 59273607		
1	59208710	Hood	1	
2	59208728	Filler Plate	1	
3	59258574	Hood Hinge	1	
4	59274803	Rod End (Effective with S/N 166501)	2	3/8
-	59273540	Rod End (Prior to S/N 166501)	2	M10
5	59208736	Seal Trim	1	1275 mm
6	59208835	Seal Trim	1	1275 mm
7	54469390	Grab Handle	1	
8	59259010	Latch	1	
9	59259150	Backing Plate	1	
10	59259127	Keeper Latch	1	
11	59259143	Backing Plate	1	
12	59266726	B.H.C.S.	4	M5-0.08 x 20
13	96719224	Carriage Bolt	6	M8 x 25mm
15	95919254	H.H.C.S. (Effective with S/N 166501)	2	3/8 - 16
-	96704309	H.H.C.S. (Prior to S/N 166501)	2	M10 x 35
16	96741038	Hardened Flatwasher	10	M8
17	96738554	Hardened Flatwasher	2	M5
18	96704580	Locknut	6	M5
19	96704606	Locknut	8	M8
20	95922894	Hex Nut (Effective with S/N 166501)	2	3/8 - 16
-	96704812	Hex Nut (Prior to S/N 166501)	2	
21	96741046	Hardened Flatwasher	6	M10
22	59266551	B.H.C.S.	2	M5-0.08 x 30
23	59269191	Backing Plate	1	
24	59269829	Strap Mounting Plate	1	
25	59215996	Hood Strap	1	
26	96702659	H.H.C.S.	6	M8-1.25 x 25
27	95922183	Flatwasher	4	1/4
28	96702824	H.H.C.S.	2	M8 x 20
29	54651575	Threaded Stud	2	
30	96711833	Washer	6	
31	59329649	Hex Nut	2	