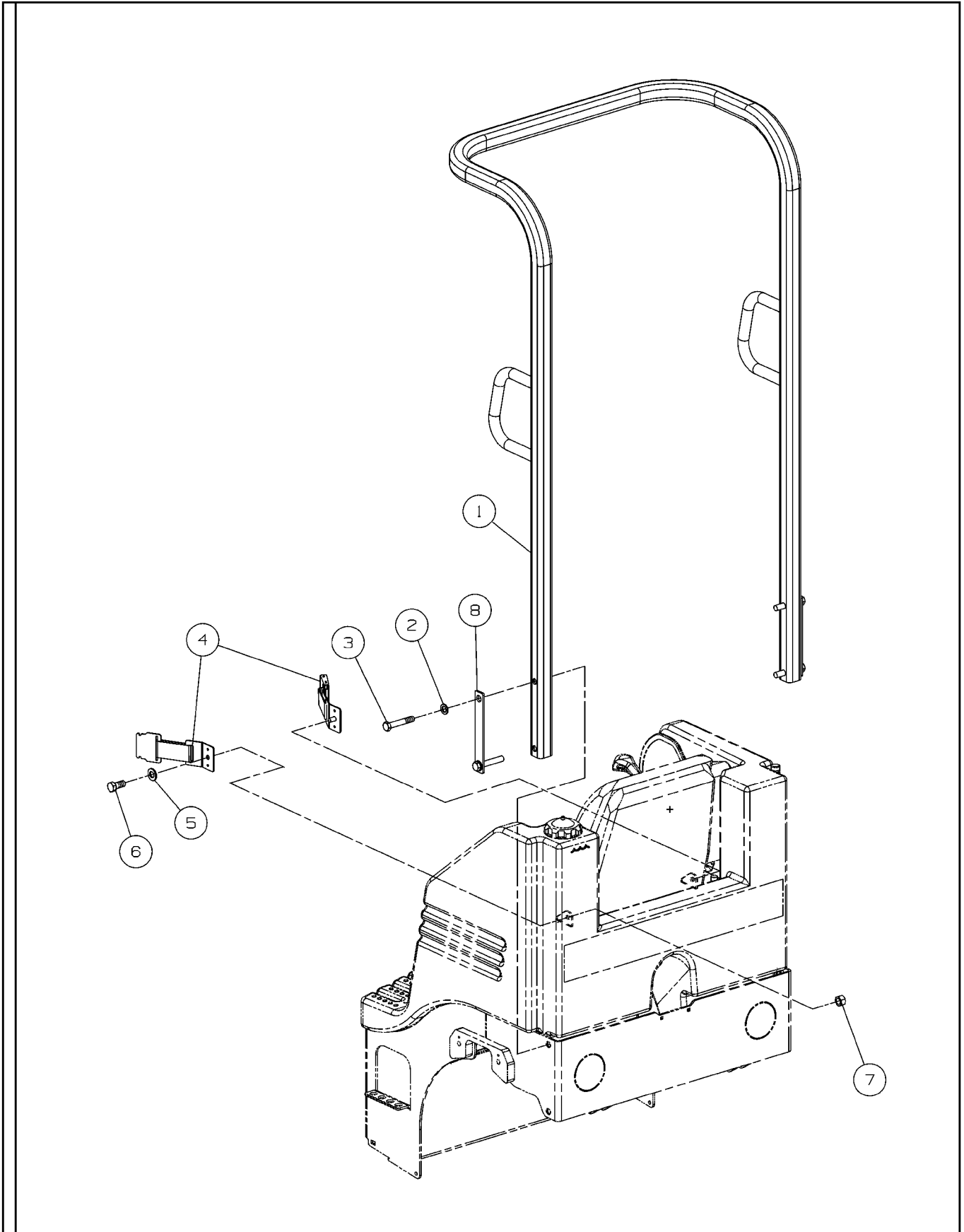


ROPS INSTALLATION



ROPS INSTALLATION

ITEM	COMM.NO.	DESCRIPTION	QTY	DIMENSIONS/NOTES
<small>BOM 59213488 & 59264325</small>				
1	59275214	ROPS	1	
2	96738612	Hardened Flatwasher	4	M16
3	96701503	H.H.C.S.	4	M16 x 90
4	59227561	Seat Belt	1	
5	96738596	Hardened Flatwasher	2	M12
6	96702790	H.H.C.S.	2	
7	96702857	Nut	2	
8	59256925	ROPS Plate	2	
**	58999020	Decal: Rollover Hazard (No ROPS Option)	1	