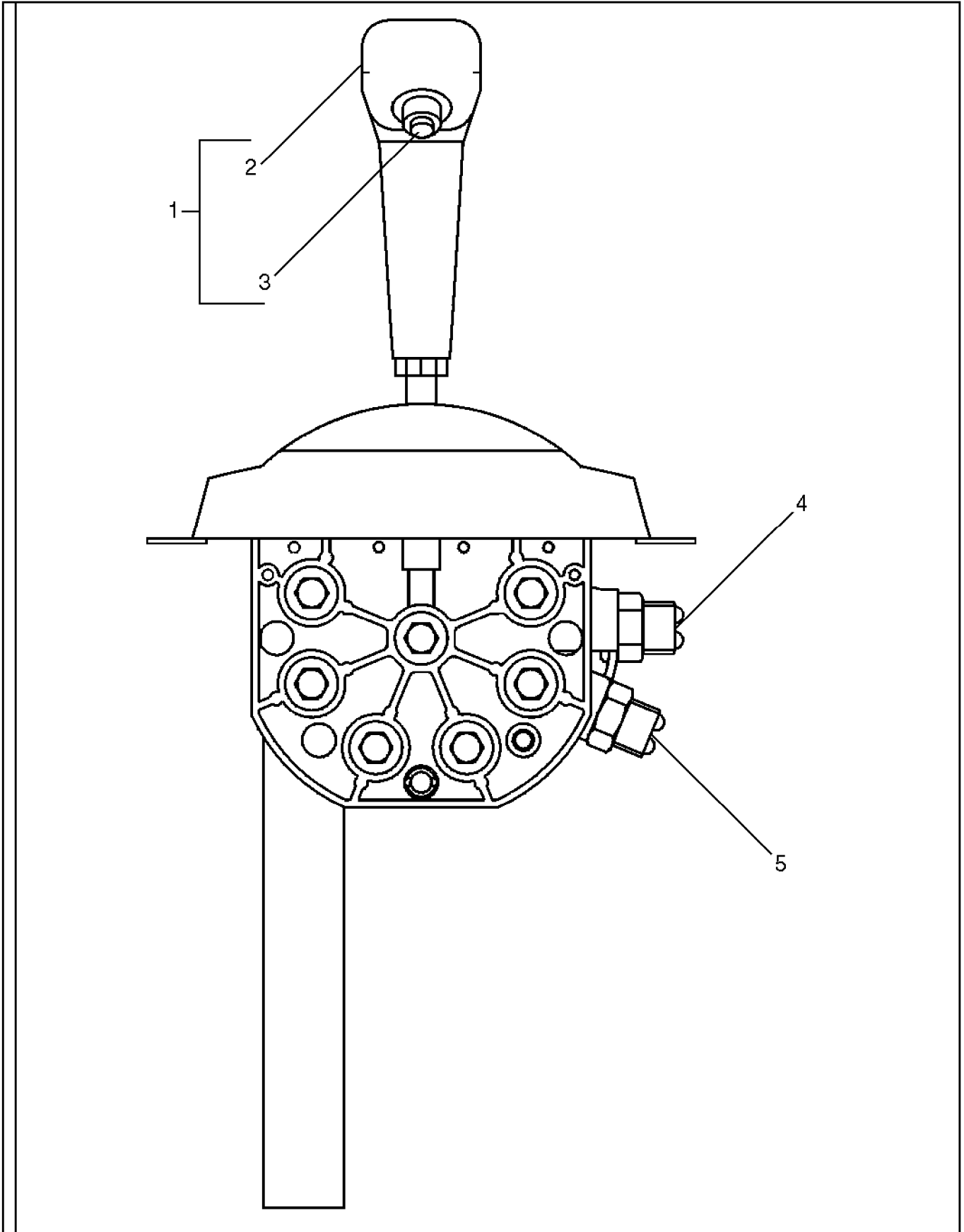


F-STOP-R CONTROL (59257790) - INTERNAL BREAKDOWN



F-STOP-R CONTROL (59257790) - INTERNAL BREAKDOWN

ITEM	COMM.NO.	DESCRIPTION	QTY	DIMENSIONS/NOTES
		<small>BOM 59257790-2</small>		
1	54504899	Lever Assembly (Includes items 2 and 3)	1	
2	59240291	-Handle	1	
3	59072264	-Vibration Actuation Switch	1	
4	59073957	Neutral Start Switch	1	
5	59073957	Reverse Warning Switch	1	