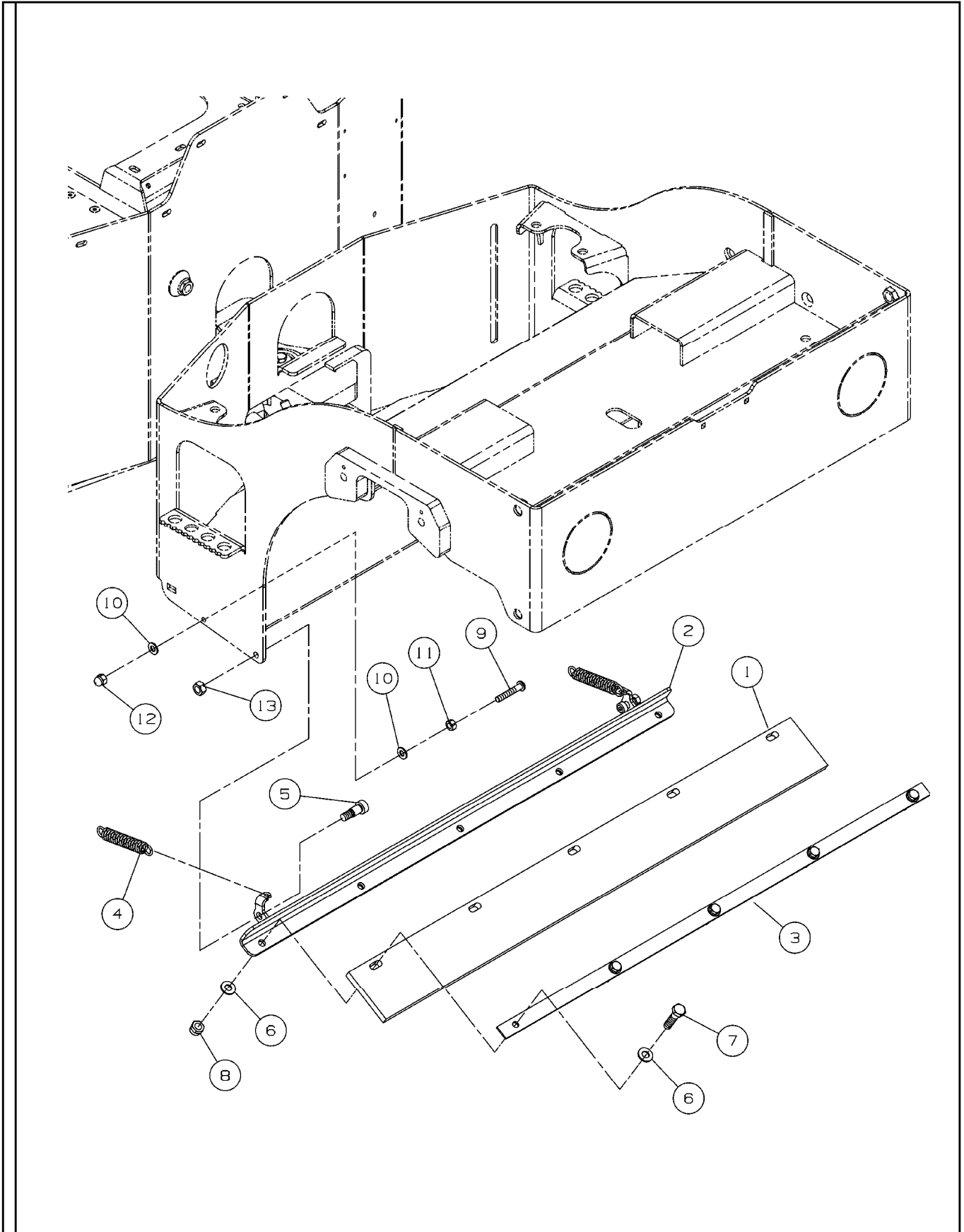


INSIDE SCRAPER INSTALLATION - PRIOR TO S/N 165994 - OPTIONAL



INSIDE SCRAPER INSTALLATION - PRIOR TO S/N 165994 - OPTIONAL

ITEM	COMM.NO.	DESCRIPTION	QTY	DIMENSIONS/NOTES
		BOM 59227231		
1	59258525	Rubber Scraper	2	
2	59274795	Scraper Support	2	
3	59271601	Scraper Backing Bar	2	
4	54523360	Spring Extension	4	
5	96739594	Bolt	4	M10 x 16
6	96741046	Hardened Flatwasher	20	M10
7	96704358	H.H.C.S.	10	M10 x 40
8	96704614	Nut	10	M10-1.5
9	96740030	B.H.C.S.	4	M8-1.25 x 45
10	96741038	Hardened Flatwasher	8	M8
11	96701370	Nut	4	M8-1.25
12	96740055	Hex Dome Nut	4	M8-1.25
13	96704812	Hex Nut	4	