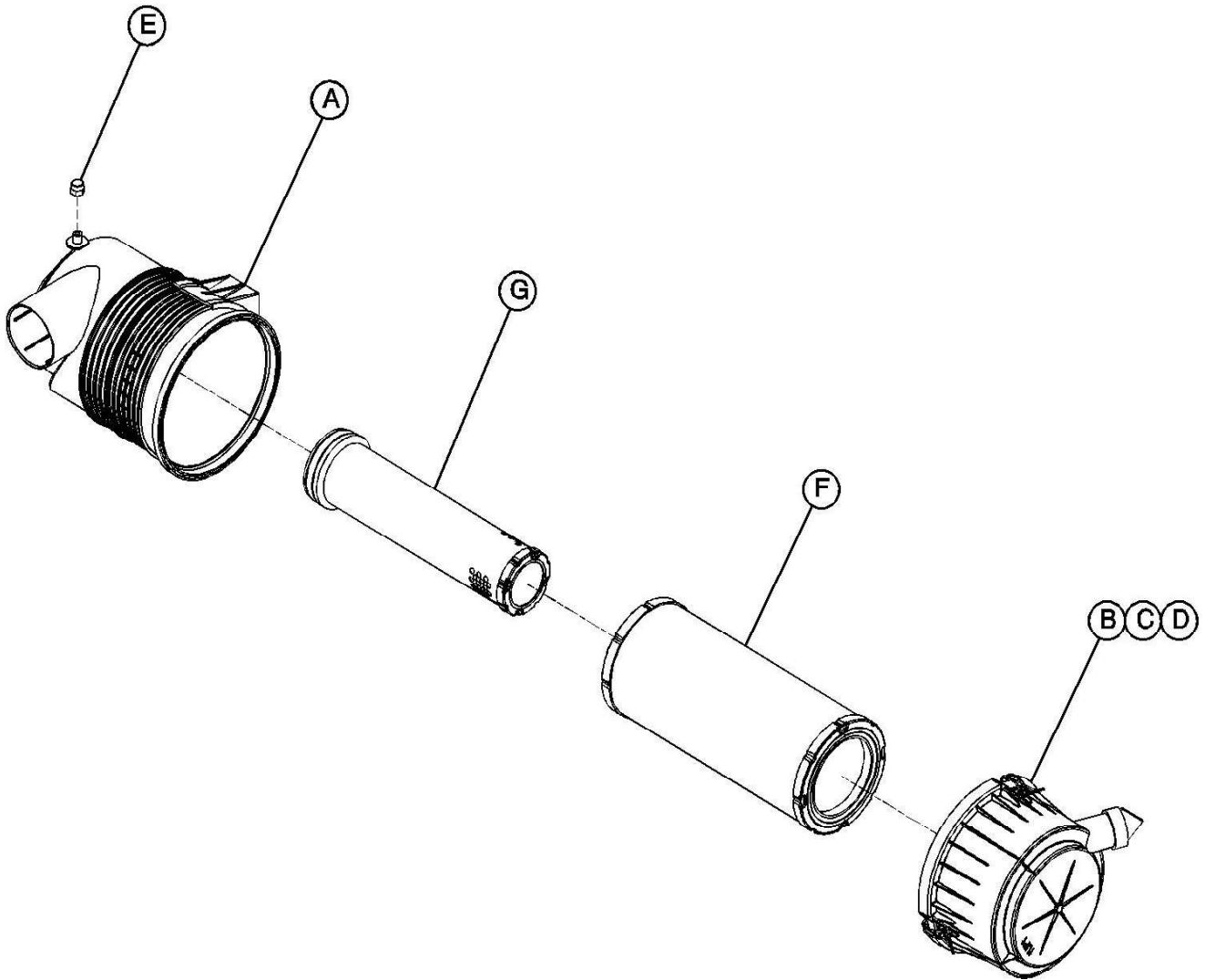


AIR END AIR CLEANER ASM.



22442701_038_04/04_A

ITEM	COMM. NO.	DESCRIPTION	QTY	DIMENSIONS/NOTES
A	54479811	BODY, AIR CLEANER	1	
B	54415393	COVER, AIR CLEANER	1	
C	35393669	CLIP, RETAINING	3	
D	35393677	VALVE, DUST EJECTOR	1	
E	35393719	PLUG, CAP	1	
F	54471834	ELEMENT, PRIMARY	1	
G	54471842	ELEMENT, SAFETY	1	OPTIONAL