

G & L-Series Pressure Switches

FEATURES

- Precision SPDT or DPDT snap-acting micro switch
- Setpoint adjustable from 15-100% of range
- Single or dual adjustable set points
- Fixed or adjustable deadband
- Wide selection of switch elements

TYPICAL USES

- Refineries
- Chemical and petrochemical plants
- Pulp and paper mills
- Power plants
- Steel mills
- Water and sewage treatment plants
- Pumps, compressors and turbines
- Dairies and breweries
- Boilers and burners
- Reverse osmosis systems and filters
- Filters and presses
- Paint spraying equipment
- Specialized OEM equipment
- Pharmaceutical plants



L-Series
Watertight Enclosure
Pressure Switch



G-Series
Watertight Enclosure
Pressure Switch



L-Series
Watertight Enclosure
Differential Pressure Switch



G-Series
Watertight Enclosure
Differential Pressure Switch



SPECIFICATIONS

Set Repeatability (Accuracy):	±1% of span (Additional setpoint shift of ±1% of range per 50°F from initial setpoint set at 70°F typical)
Switch Type:	SPDT or 2 SPDT with independent setpoints, or 2 SPDT acting as DPDT (XC2)
Setpoint:	Single setpoint, fixed deadband Single setpoint, adjustable deadband Independent setpoint, fixed deadband
Deadband:	Fixed or adjustable deadband
Enclosure Ratings:	G Series - NEMA 4X, IP66 L Series - NEMA 4X, IP66
Enclosure Material:	G Series - 316L Stainless steel L Series - Epoxy coated aluminum
Process Connection:	¼ NPT Female, ½ NPT Female, ¼ NPT Female and ½ NPT Male Combination
Electrical Termination:	¾ NPT Female

APPROVALS

Watertight:	L Series - UL, CSA, FM, CE, RoHS, CRN G Series - UL, CSA, CE, RoHS, CRN
-------------	--

KEY BENEFITS

- 316L SS (G-Series) or epoxy-coated aluminum (L-Series) enclosures provide added protection in harsh environments
- Designed for use in wide range of applications
- Easily configurable to meet your application requirements
- Hermetically sealed micro switches offer improved reliability and safety (UL Class I Div II approval)

WETTED COMPONENTS

Actuator Seal	Process Connection:	
Buna-N®, Teflon®, Viton®, 316L SS, or Monel®	Pressure Switches 316L SS or Monel® for psi ranges Epoxy coated carbon steel or 316L SS for IW ranges	Differential Switches Nickel plated brass or 316L SS for psid ranges Epoxy coated carbon steel or 316L SS for IWD ranges

Data Sheet

G & L-Series Pressure Switches

ORDERING CODE	Example:	GPSN4	G	S	25	X6B	100#
Enclosure – Pressure Switch							
GPSN4 - Single setpoint, fixed deadband, N4 - NEMA 4, 4X, IP66		GPSN4					
GPAN4 - Single setpoint, adjustable deadband, N4 - NEMA 4, 4X, IP66							
GPDN4 - Two independent adjustable setpoints, fixed deadband, N4 - NEMA 4, 4X, IP66							
LPSN4 - Single setpoint, fixed deadband, N4 - NEMA 4, 4X, IP66							
LPAN4 - Single setpoint, adjustable deadband, N4 - NEMA 4, 4X, IP66							
LPDN4 - Two independent adjustable setpoints, fixed deadband, N4 - NEMA 4, 4X, IP66							
Enclosure – Differential Pressure Switch							
GDSN4 - Single setpoint, fixed deadband, N4 - NEMA 4, 4X, IP66							
GDAN4 - Single setpoint, adjustable deadband, N4 - NEMA 4, 4X, IP66							
GDDN4 - Two independent adjustable setpoints, fixed deadband, N4 - NEMA 4, 4X, IP66							
LDSN4 - Single setpoint, fixed deadband, N4 - NEMA 4, 4X, IP66							
LDAN4 - Single setpoint, adjustable deadband, N4 - NEMA 4, 4X, IP66							
LDDN4 - Two independent adjustable setpoints, fixed deadband, N4 - NEMA 4, 4X, IP66							
Switch Elements For Single Setpoint with Adjustable Deadband - UL/CSA Listed							
H - General purpose, 10A - 125/250 Vac. ½A, 125Vdc, ¼A, 250Vdc							
J - Hermetically sealed, general pupose - 11A, - 125/250 Vac, 5A, 30Vdc							
Single/Dual Switch Setpoint with Fixed Deadband - UL/CSA Listed							
C/CC - Heavy duty ac, 22A - 125/250 Vac							
F/FF - Sealed environment proof, 15A - 125/250 Vac. (estimated dc rating - 4A, 28Vdc, not UL listed)							
G/GG - General purpose, 15A - 125/250/480 Vac, ½A - 125 Vdc, ¼A - 250 Vdc (not listed at 480 Vac)			G				
H/HH - General purpose, 10A - 125/250 Vac 10A, Vdc (P series only)							
J/JJ - Hermetically sealed switch, general purpose, 11A, 125/250 Vac, 5A, 30 Vdc							
K/KK - Narrow deadband, 15A - 125/250 Vac. (estimated dc rating, 0.4A, 120 Vdc, not UL listed)							
L/LL - Hermetically sealed switch, gold contacts, 1A - 125 Vac							
M/MM - Low level (gold) contacts, 1A - 125 Vac							
P/PP - Hermetically sealed AC - 5A, 125/250 Vac. (estimated dc rating - 2.5A, 28Vdc, not UL listed)							
S/SS - Heavy duty dc, 10A - 125 Vac or dc, ½ HP - 125 Vac or dc.						S	
U/UU - Manual reset actuates on increasing pressure 15A, 125/250 Vac, 6A, 130Vdc							
Y/YY - High temperature 300°F (148°C) ambient, 15A, 125/250 Vac							
W/WW - Ammonia service - 5A, 125/250 Vac, 6A, 30 Vdc							
Actuator Seal							
	Temperature Limits						
Material	Ambient	Process					
B - Buna-N®	-20°F to 150°F	0°F to 150°F					
V - Viton®	-20°F to 150°F	20°F to 300°F					
T - Teflon®	-20°F to 150°F	0°F to 150°F					
S - 316L SS	-20°F to 150°F	20°F to 300°F				S	
P - Monel®	-20°F to 150°F	20°F to 300°F					
Process Connections							
25 - ¼ NPT Female					25		
06 - ¼ NPT Female and ½ NPT Male combination (standard on 1000#, 2000# and 3000# units)							
07 - ½ NPT Female							
20 - 7/16"-20 SAE Female							
Options - Select from Table 4 on page 4 (If choosing an option(s) must include an "X")							
6B - Cleaned for oxygen service						X_ _	6B
Pressure Range (select from pressure range table on page 3)							
100# - 100 psi							100#

Data Sheet

G & L-Series Pressure Switches

TABLE 1 - PRESSURE/VACUUM RANGES				Approximate Deadband Switch Element for Buna-N® Diaphragm									
Nominal Ranges		Overpressure Ratings		See multiplier TABLE 3 for additional material multipliers									
				LPA-GPA		LPS-GPS				LPD-GPD			
		Proof#	Minimum Burst psi	Switch Element									
J, H	G			J, H	K, F	P	GG	JJ, HH	KK, FF	PP			
Vacuum													
30IMV	-760 mmHg	250	400	6-24	2.5-4	6-24	1-2	1-2.5	3-5.5	4-6.5	1-2	1-2.5	
Compound													
30IMV/ 15#	-760 mmHg/ 1.0 kg/cm ²	250	400	6-24 3-12	2.5-4 1-2.5	4-6 1-3.5	1-2 0.5-1.5	1-2.5 0.5-2	3-5.5 1.5-5.5	4-6.5 1.5-4	1-2 1-2	1-2.5 1-2	
Pressure													
30IW	750 mmH ₂ O	20	35	4.0-27	1.5-3.5	2.0-4.0	0.5-1.0	0.7-2.0	2.1-4.9	2.8-5.6	0.7-1.4	0.7-2.8	
60IW	1,500 mmH ₂ O	20	35	5.0-54	1.5-4.0	2.5-5.0	0.5-1.4	1.0-2.5	3-5.6	3.5-7.0	0.7-2.0	2-3.5	
100IW	2,500 mmH ₂ O	20	35	8.5-90	2.0-5.5	4.0-8.5	1.0-2.0	1.4-3.0	4-7.7	5.6-11.7	1.4-2.8	1-4.2	
150IW	3,750 mmH ₂ O	20	35	18-135	5.0-11	10-18	1.5-3.0	2.0-6.0	7.0-16	14-25.1	2.1-4.2	5-9.2	
15#	1.0 kg/cm ²	500	1,500	2.5-13	1.0-1.5	1.0-2.5	0.5-1.0	0.75-1.5	1.4-2.1	1.4-3.5	0.7-1.4	1-1.4	
30#	2.0 kg/cm ²	500	1,500	3.0-27	1.0-2.8	1.0-3.2	0.75-1.5	1-1.8	1.4-5	3-6	1-2.1	1.4-2.5	
60#	4.0 kg/cm ²	500	1,500	5-54	2.0-4.0	2.0-4.5	1.0-2.0	1.0-2.5	3-7	4-8	1.4-2.8	1.4-3.5	
100#	7.0 kg/cm ²	1,000	3,000	10-90	3-6	5.0-10	1.0-2.5	1.4-3.2	7-12	7.0-14	1.4-3.5	3-7	
200#	14 kg/cm ²	1,000	3,000	18-180	7-14	10-18	1.0-4.0	5.0-8.0	10-23	14-25	1.4-5.6	7.0-11.2	
400#	28 kg/cm ²	2,400	3,000	45-360	16-30	16-45	4.0-8.0	5.0-15	22-42	22-63	5.6-11.2	7.0-21	
600#	42 kg/cm ²	2,400	3,000	75-540	16-50	20-75	5.0-15	6.0-25	22-70	28-105	7.0-21	8.0-35	
1000# ⁽¹⁾	70 kg/cm ²	12,000 ⁽¹⁾	14,000	160-900	75-130	50-160	7.0-30	10-85	70-180	70-223	10-42	14-119	
2000#	140 kg/cm ²	12,000	14,000	350-1,800	150-200	150-350	20-50	25-110	209-279	209-488	28-70	35-154	
3000#	210 kg/cm ²	12,000	14,000	400-2,600	180-250	180-400	30-70	30-190	251-349	251-558	42-98	42-226	

(1) Proof pressure is 4,000 psi with SS and Monel® welded diaphragms

TABLE 2 - DIFFERENTIAL PRESSURE RANGES				Approximate Deadband Switch Element for Buna-N® Diaphragm									
Nominal Ranges		Overpressure Ratings		See multiplier TABLE 3 for additional material multipliers									
				LDA-GDA		LDS-GDS				LDD-GDD			
		Static #	Minimum Proof #	Switch Element									
J, H	G			J, H	K, F	P	GG	JJ, HH	KK, FF	PP			
Differential Pressure													
30IWD	-760 mmHg	5.4	21.6	4.0-27	1.3-3.5	2.0-4.0	0.5-1.0	0.7-2.0	2.1-4.9	2.8-5.6	0.7-1.4	0.7-2.8	
60IWD	1,500 mmH ₂ O	5.4	21.6	5.0-54	1.5-4.0	2.5-5.0	0.5-1.4	1.0-2.5	3-5.6	3.5-7.0	0.7-2.0	2-3.5	
100IWD	2,500 mmH ₂ O	5.4	21.6	8.5-90	2.0-5.5	4.0-8.5	1.0-2.0	1.4-3.0	4-7.7	5.6-11.7	1.4-2.8	1-4.2	
150IWD	3,750 mmH ₂ O	5.4	21.6	18-135	5.0-11	10-18	1.5-3.0	2.0-6.0	7.0-16	14-25.1	2.1-4.2	5-9.2	
30#D	2.0 kg/cm ²	500	1,500	3.0-27	1.0-2.8	1.0-3.2	0.75-1.5	1-1.8	1.4-5	3-6	1-2.1	1.4-2.5	
60#D	4.0 kg/cm ²	500	1,500	5-54	2.0-4.0	2.0-4.5	1.0-2.0	1.0-2.5	3-7	4-8	1.4-2.8	1.4-3.5	
200#D	14 kg/cm ²	1,000	3,000	18-180	7-14	10-18	1.0-4.0	5.0-8.0	10-23	14-25	1.4-5.6	7.0-11.2	
400#D	28 kg/cm ²	2,400	3,000	45-360	16-30	16-45	4.0-8.0	5.0-15	22-42	22-63	5.6-11.2	7.0-21	

TABLE 3 - DEADBAND MULTIPLIER TABLE		
Diaphragm Material	Multiply	Notes
Buna-N®	1.0	Multiplier table for additional diaphragm materials
Viton®	1.4	
Teflon®	1.7	Not applicable for adjustable deadband units (LPA,GPA,LDA GDA)
316 SS	1.7	
Monel®	1.7	

G & L-Series Pressure Switches

TABLE 4 - OPTIONS				Pressure		Differential Pressure	
Code	Description	G Series	L Series	psi	inH ₂ O	psid	inH ₂ O
CH	Chained cover	•	•	•	•	•	•
FM	FM Approval (includes pilot lights)		•	•	•	•	•
FP	Fungus proofing	•	•	•	•	•	•
FS	Factory adjusted setpoints (Supply static pressure for D/P switches)	•	•	•	•	•	•
G5	Gas/Oil UL Limit control to 150 inH ₂ O (LDS only)		•				•
G6	Gas/Oil UL Limit control to 600 psi (LDS only)		•	•			
G8	Steam limit control to 600 psi (UL listed steam control)		•	•			
G9	Fire safe actuator	•	•	•			
HS	High static operating pressure for psi range D/P	•	•			•	
HX	High operating pressure for inH ₂ O ranges						
	40 psi Static (Pressure and D/P)	•	•		•		•
	100 psi Proof (Pressure)						
	160 psi Proof (D/P)						
HY	Hydrostatic pressure test	•	•	•	•	•	•
JL	¾" to ½" Reducing bushing	•	•	•	•	•	•
K3	Terminal blocks	•	•	•	•	•	•
MA	NACE compliance (only with monel actuator)	•	•	•			
NH	Tagging Stainless steel	•	•	•	•	•	•
PK	Pilot lights		•	•	•	•	•
PM	¾" Sealed conduit connection with 16" lead wires	•	•	•	•	•	•
TA	316 SS pressure connection for H ₂ O ranges	•	•		•		•
UD	316 SS Pressure Connection for psid ranges ⁽¹⁾	•	•			•	
2C	DPDT with Single Setpoint Adjustment	•	•	•	•	•	•
6B	Cleaned for oxygen service (N/A with Buna N)	•	•	•		•	
C4	Calibration chart	•	•	•	•	•	•
Y53A	1½" Sanitary seal with glycerin fill with 3A Approval	•	•	•			
Y63A	2" Sanitary seal with glycerin fill with 3A Approval	•	•	•			

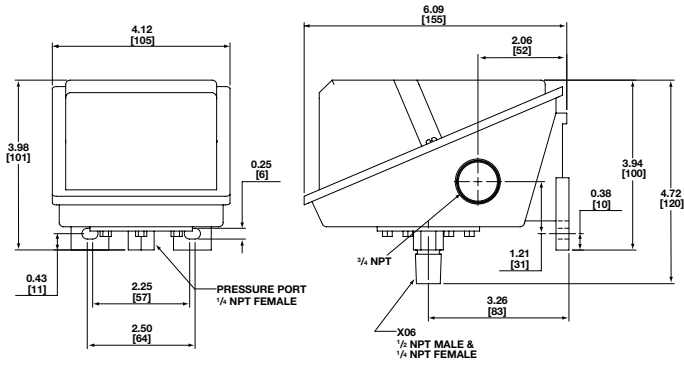
NOTE: ⁽¹⁾Standard for DP models with "S" actuator seal & psid ranges

G & L-Series Pressure Switches

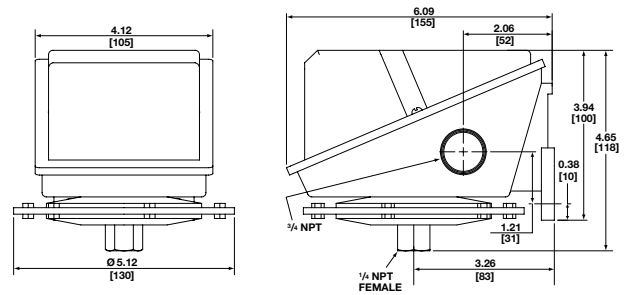
L-SERIES DIMENSIONS in [] are millimeters

For reference only, consult Ashcroft for specific dimensional drawings

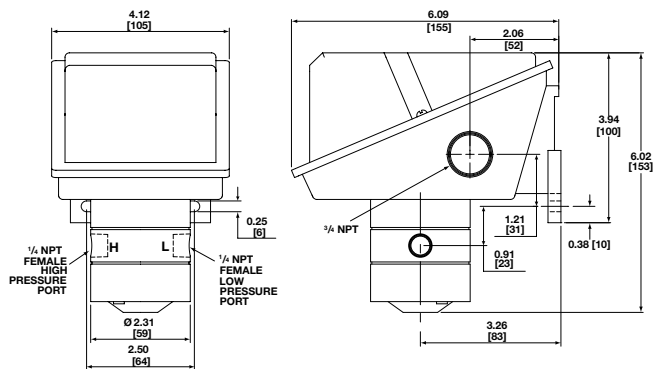
PRESSURE SWITCH – PSI RANGES



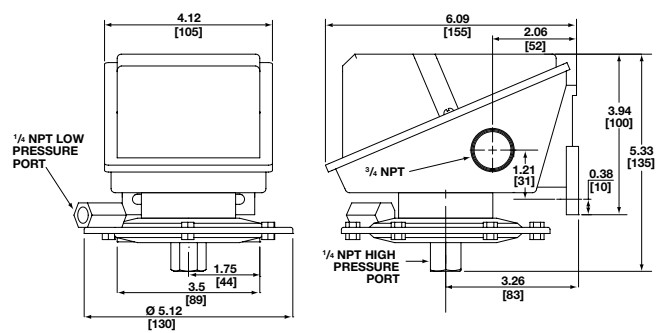
PRESSURE SWITCH – INCHES OF WATER RANGES



DIFFERENTIAL PRESSURE SWITCH – PSI DIFFERENTIAL RANGES



DIFFERENTIAL PRESSURE SWITCH – INCHES OF WATER RANGES

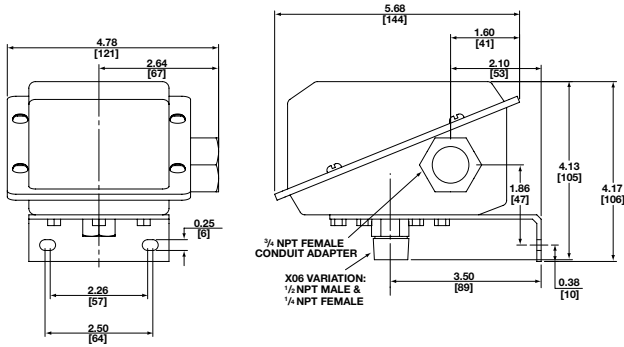


G & L-Series Pressure Switches

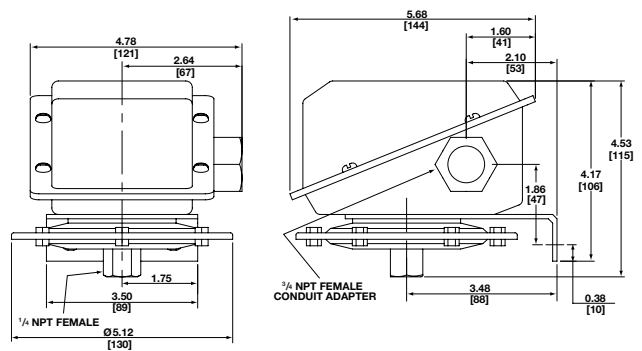
G-SERIES DIMENSIONS in [] are millimeters

For reference only, consult Ashcroft for specific dimensional drawings

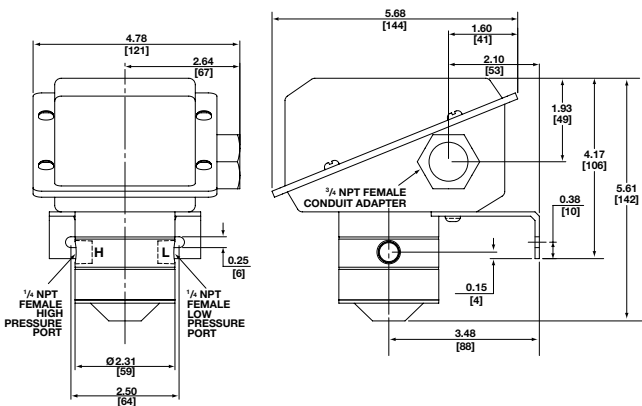
PRESSURE SWITCH – PSI RANGES



PRESSURE SWITCH – INCHES OF WATER RANGES



DIFFERENTIAL PRESSURE SWITCH – PSI DIFFERENTIAL RANGES



DIFFERENTIAL PRESSURE SWITCH – INCHES OF WATER RANGES

