



<b>DATA SHEET</b>	52106210
<b>SKINDICHT® KW-M</b>	valid from: 27.11.2015

The SKINDICHT® KW-M is an elbow fitting from polyamide reinforced with glass-fiber. It is used when cables and conduits have to be led along the housing wall.



**Material:** Polyamide, glass filled

**Technical features:**

Connecting thread	M16x1,5 up to M32x1,5 acc. to EN 60423
Protection class	IP55 acc. to EN 60529
Temperature range	-20 °C up to +80 °C
Colour	RAL 7001

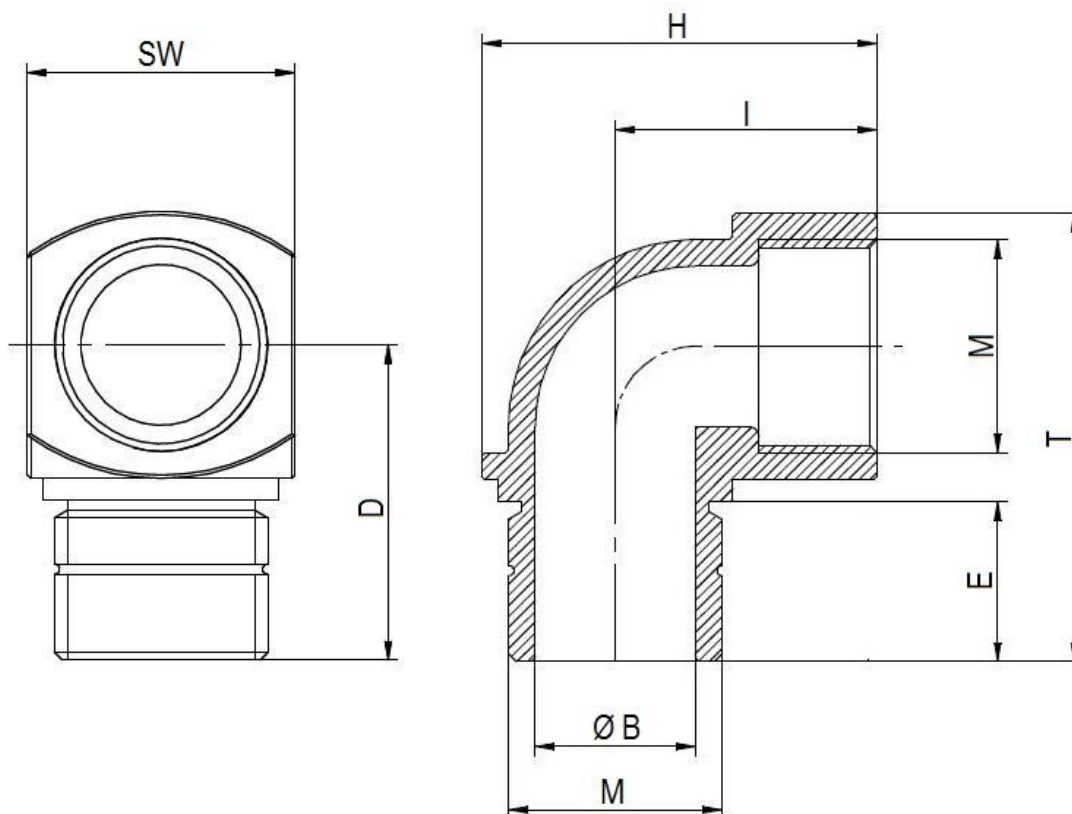
**Norm references:**



For more information please see our current catalogue.

elaborated by: PDP: T. Dvoulety	Dokument: DB52106210_1EN	page 1 of 2
------------------------------------	--------------------------	-------------

<b>DATA SHEET</b>	52106210
<b>SKINDICHT® KW-M</b>	valid from: 27.11.2015



M	SW [mm]	Ø B [mm]	D [mm]	E [mm]	H [mm]	I [mm]	T [mm]	Article No.
M16x1,5	19	11	24,0	13	31,0	21,5	33,5	52106210
M20x1,5	25	15	29,5	15	37,0	24,5	42,0	52106220
M25x1,5	30	20	33,5	16	43,0	28,0	48,5	52106230
M32x1,5	36	26	38,0	17	49,5	31,5	56,0	52106240