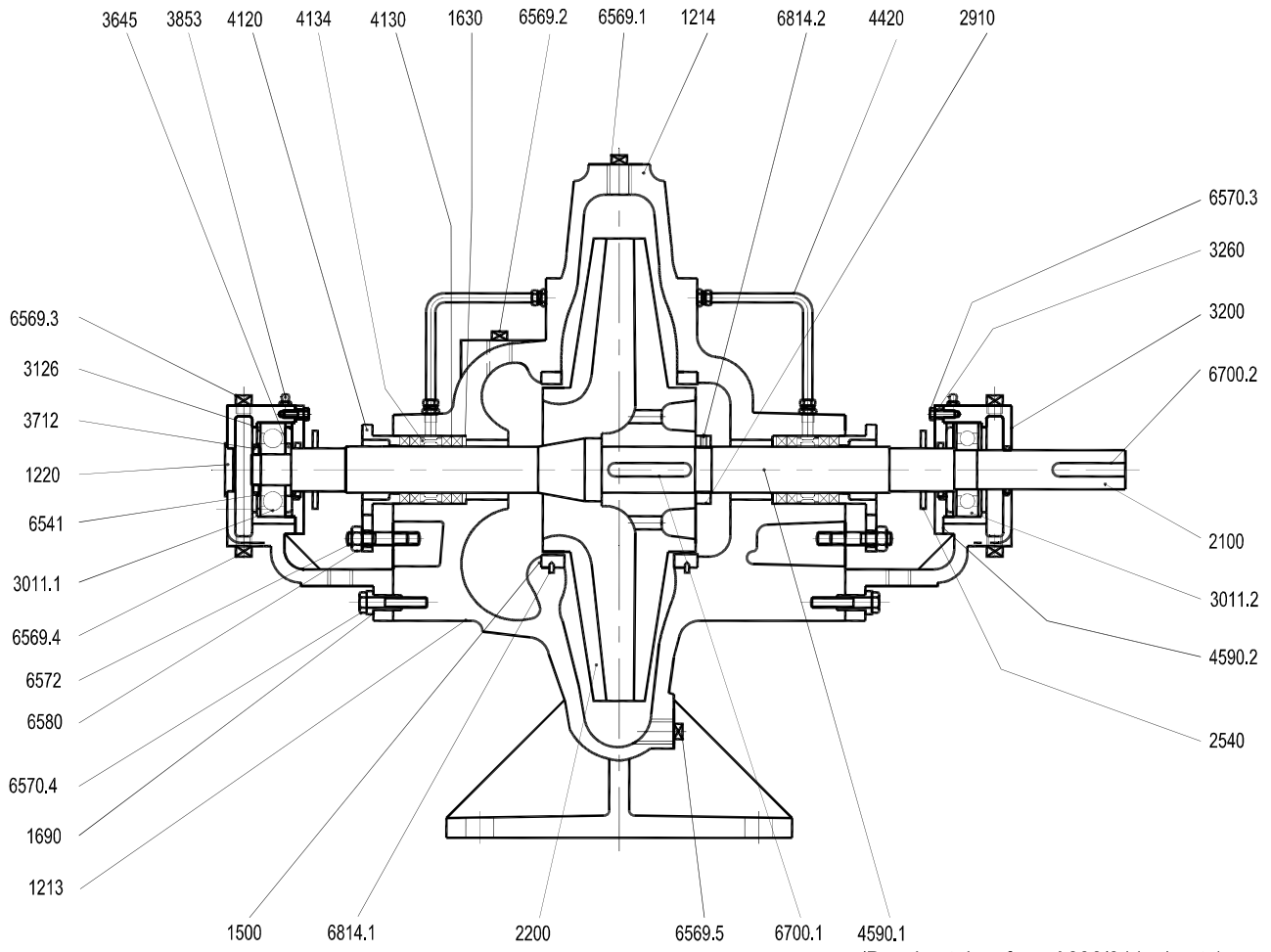


8 PARTS LISTS AND DRAWINGS

8.1 Sectional drawings – LR single entry impeller, grease lubricated, gland packed



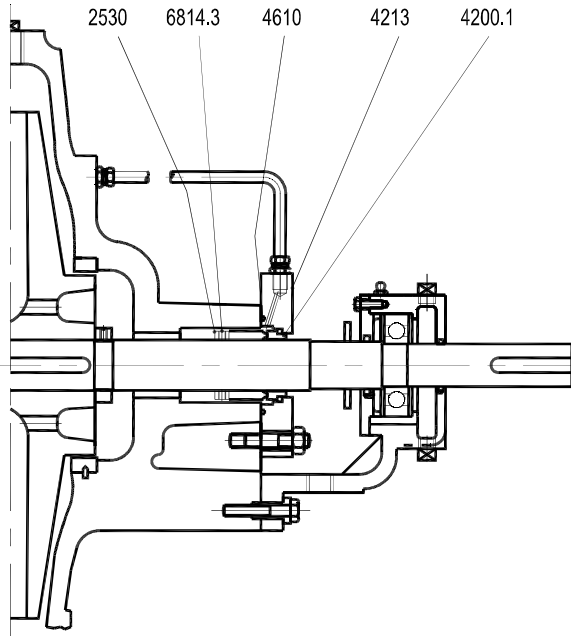
(Drawing taken from A336/044, sheet 1, rev -)

8.1.1 Parts list – LR single entry impeller

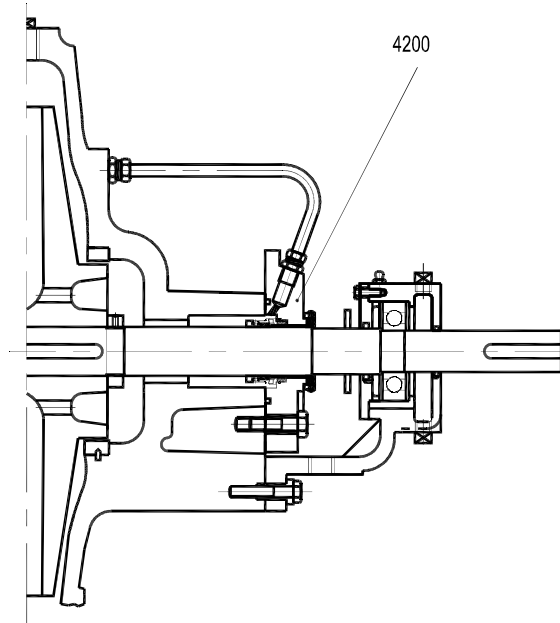
Ref. no.	Description
1213	Casing half - lower
1214	Casing half - upper
1220	Cover
1500	Casing wear ring
1630	Throttling bush
1690	Bush (dowel)
2100	Shaft
2200	Impeller
2540	Flinger (liquid)
2910	Shaft nut
3011.1	Ball bearing
3011.2	Ball bearing
3126	Shim
3200	Bearing housing
3260	Bearing cover
3645	Disc spacer *
3712	Bearing nut
3853	Grease nipple
4120	Gland
4130	Gland packing
4134	Lantern ring
4420	Sealing pipe
4590.1	Gasket
4590.2	Gasket
6541	Lockwasher
6569.1	Plug
6569.2	Plug
6569.3	Plug
6569.4	Plug
6569.5	Plug
6570.1	Screw
6570.2	Screw
6570.3	Screw
6570.4	Screw
6572	Stud
6580	Nut
6700.1	Key
6700.2	Key
6814.1	Grub screw
6814.2	Grub screw

* Fitted on 2.1/2LR13 pump size only

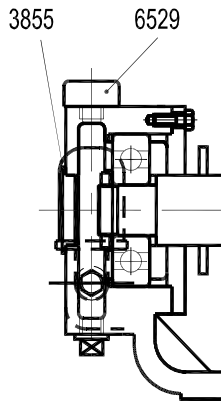
8.1.2 Options - LR single entry impeller



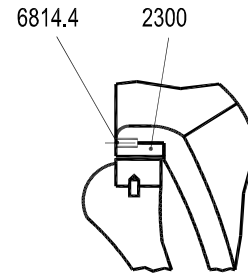
Mechanical seal assembly



Cartridge seal assembly



Oil lubrication



Impeller wear ring

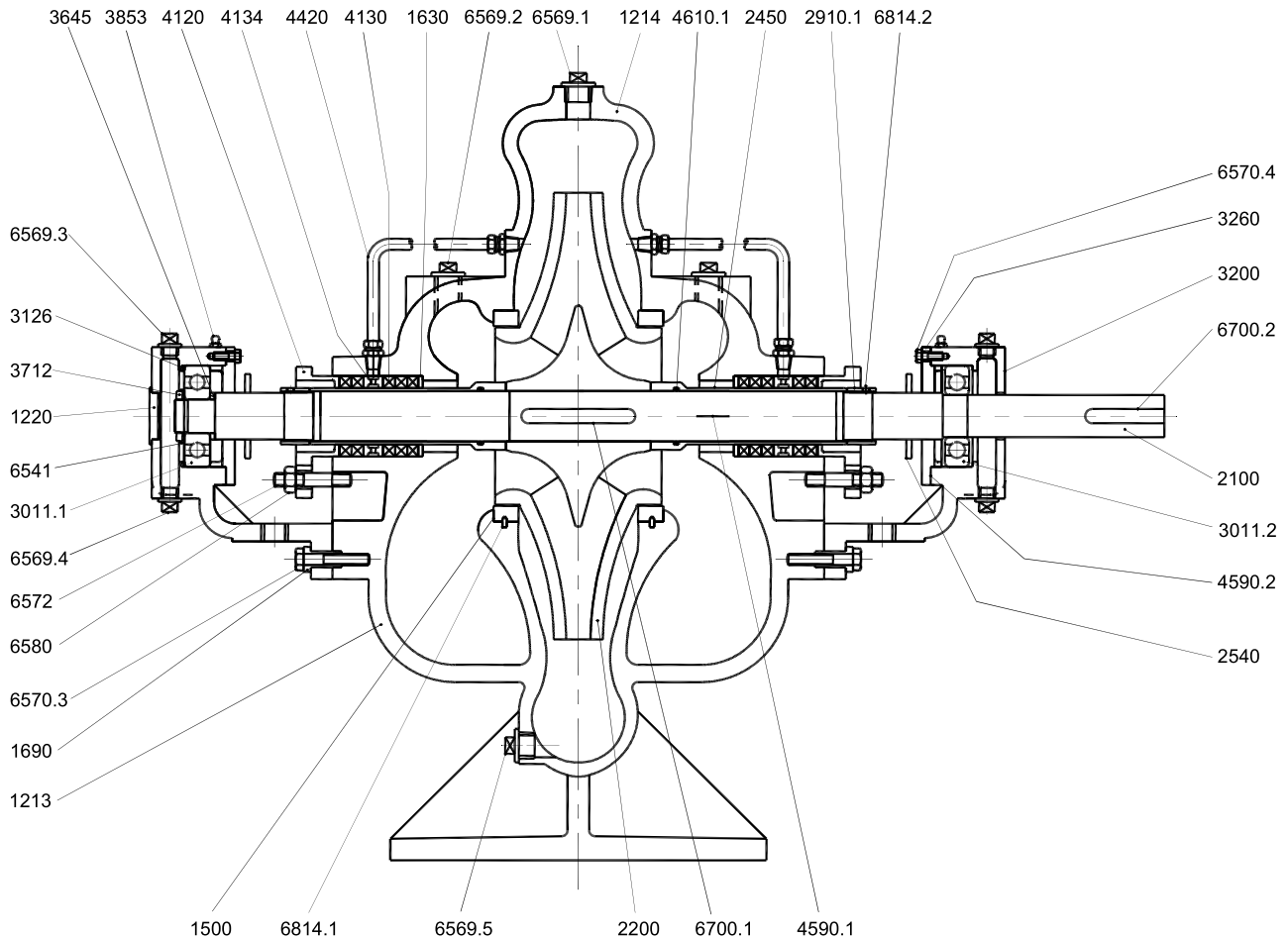
(Drawings taken from A336/044, sheet 2, rev -)

8.1.3 Options parts list - LR single entry impeller

Ref. no.	Description
2300	Impeller wear ring
2530	Retaining ring *
3855	Constant level oiler
4200	Mechanical seal (cartridge)
4200.1	Mechanical seal
4213	Mechanical seal cover
4610	O-ring
6529	Ventilation device (breather)
6814.3	Grub screw *
6814.4	Grub screw

* When required, dependent on type of mechanical seal fitted.

8.2 Sectional drawings – LR double entry impeller, grease lubricated, gland packed



(Drawing taken from A336/040, sheet 1, rev -)

8.2.1 Parts list – LR double entry impeller

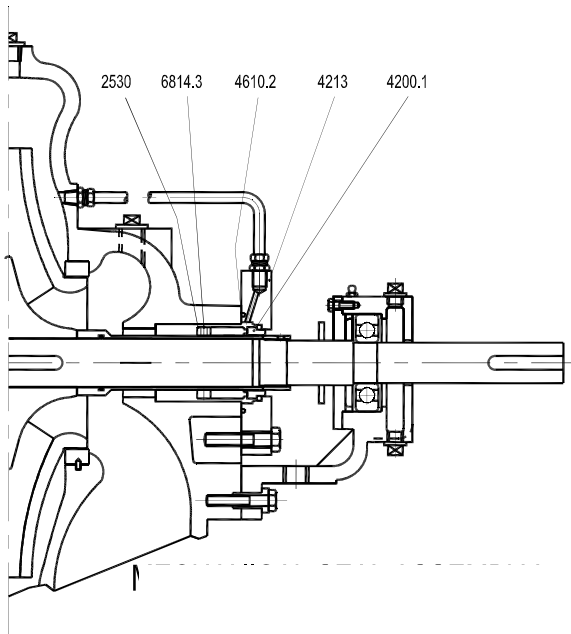
Ref. no.	Description
1213	Casing half - lower
1214	Casing half - upper
1220	Cover
1500	Casing wear ring
1630	Throttling bush
1690	Bush (dowel)
2100	Shaft
2200	Impeller
2450	Shaft sleeve
2540	Flinger (liquid)
2910.1	Shaft nut
3011.1	Ball bearing
3011.2	Ball bearing
3126	Shim **
3200	Bearing housing
3260	Bearing cover
3645	Disc spacer *
3712	Bearing nut
3853	Grease nipple
4120	Gland
4130	Gland packing
4134	Lantern ring

4420	Sealing pipe
4590.1	Gasket
4590.2	Gasket
4610.1	O-ring
6541	Lockwasher
6569.1	Plug
6569.2	Plug
6569.3	Plug
6569.4	Plug
6569.5	Plug
6570.1	Screw
6570.2	Screw
6570.3	Screw
6570.4	Screw
6572	Stud
6580	Nut
6700.1	Key
6700.2	Key
6814.1	Grub screw
6814.2	Grub screw

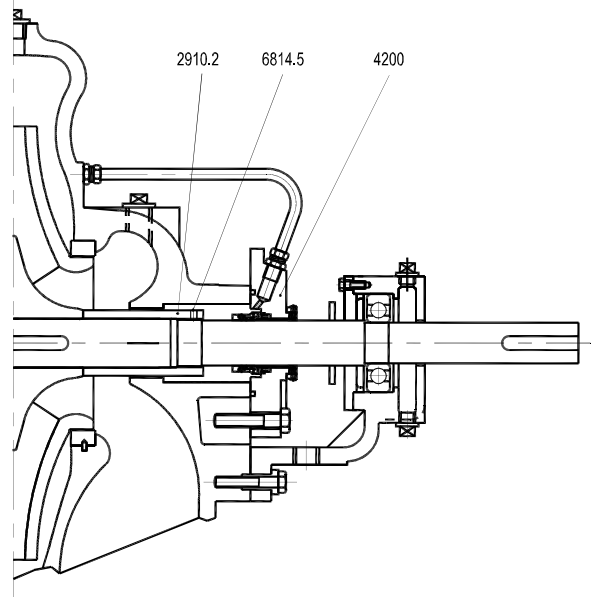
* Fitted on 2.1/2LR13 pump size only.

** Not required for 10LR17 and 19LR18 pump sizes.

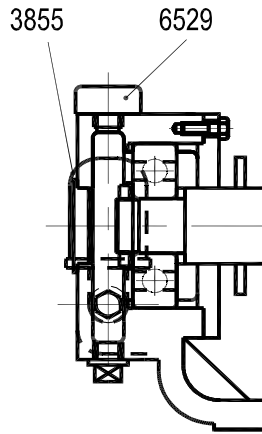
8.2.2 Options - LR double entry impeller



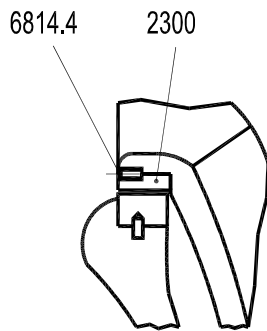
Mechanical seal assembly



Shaft without sleeve fitted with cartridge seal assembly



Oil lubrication



Impeller wear ring

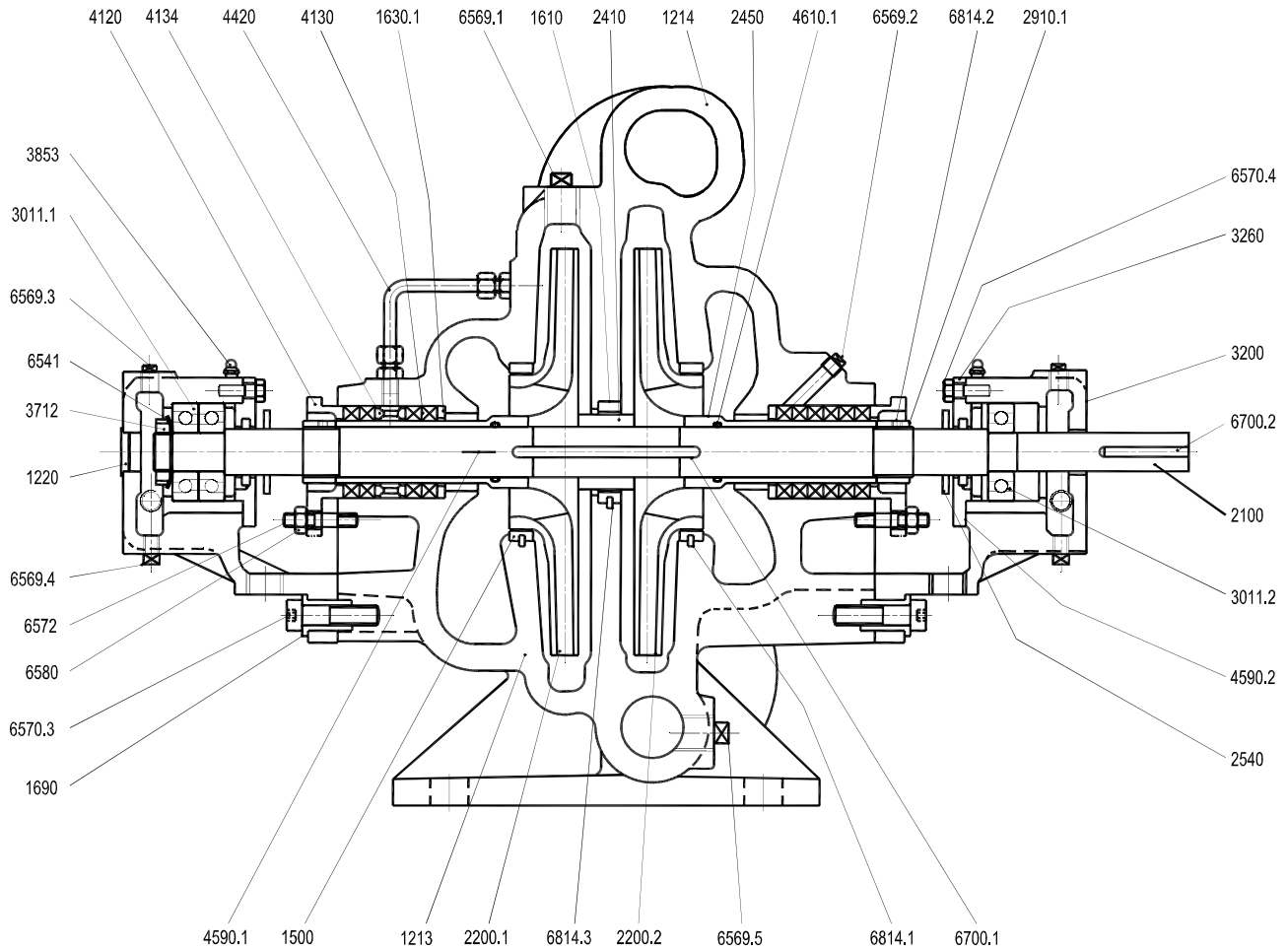
(Drawings taken from A336/040, sheet 2, rev -)

8.2.3 Options parts list - LR double entry impeller

Ref. no.	Description
2300	Impeller wear ring
2530	Retaining ring *
2910.2	Shaft nut
3855	Constant level oiler
4200	Mechanical seal (cartridge)
4200.1	Mechanical seal
4213	Mechanical seal cover
4610.2	O-ring
6529	Ventilation device (breather)
6814.3	Grub screw *
6814.4	Grub screw
6814.5	Grub screw

* When required, dependent on type of mechanical seal fitted.

8.3 Sectional drawings – LLR grease lubricated, gland packed



(Drawing taken from A336/042, sheet 1, rev -)

8.3.1 Parts list – LLR

Ref. no.	Description
1213	Casing half - lower
1214	Casing half - upper
1220	Cover
1500	Casing wear ring
1610	Interstage bush
1630.1	Throttling bush
1690	Bush (dowel)
2100	Shaft
2200.1	Impeller (first stage)
2200.2	Impeller (second stage)
2410	Interstage sleeve
2450	Shaft sleeve
2540	Flinger (liquid)
2910.1	Shaft nut
3011.1	Ball bearing
3011.2	Ball bearing
3200	Bearing housing
3260	Bearing cover
3712	Bearing nut
3853	Grease nipple
4120	Gland

4130	Gland packing
4134	Lantern ring
4420	Sealing pipe
4590.1	Gasket
4590.2	Gasket
4610.1	O-ring
6541	Lockwasher
6569.1	Plug
6569.2	Plug
6569.3	Plug
6569.4	Plug
6569.5	Plug
6570.1	Screw
6570.2	Screw
6570.3	Screw
6570.4	Screw
6572	Stud
6580	Nut
6700.1	Key
6700.2	Key
6814.1	Grub screw
6814.2	Grub screw
6814.3	Grub screw