



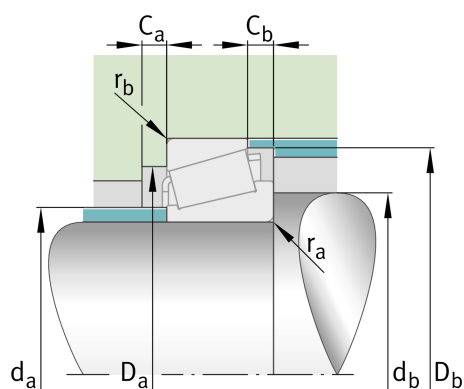
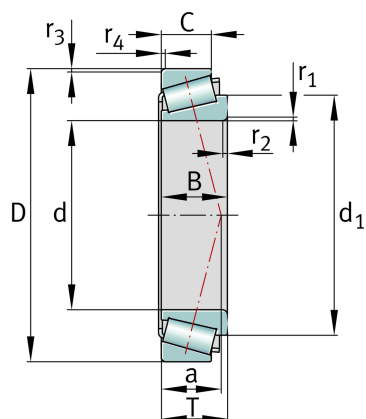
FAG

**K95500-95925**

Tapered roller bearing

Schaeffler ID:  
0382587220000Tapered roller bearing K-SERIES, single  
row

## Technical information

**Main Dimensions & Performance Data**

d	127 mm	Bore diameter
D	234.95 mm	Outside diameter
B	63.5 mm	Width, inner ring
C	49.212 mm	Width, outer ring
T	63.5 mm	Width, total
$C_r$	520,000 N	Basic dynamic load rating, radial
$C_{0r}$	810,000 N	Basic static load rating, radial
$C_{ur}$	103,000 N	Fatigue load limit, radial
$n_G$	2,900 1/min	Limiting speed
	12.022 kg	Weight

**Dimensions**

$r_{1,2 \text{ min}}$	6.4 mm	Minimum chamfer dimension of inner ring back face
$r_{3,4 \text{ min}}$	3.3 mm	Minimum chamfer dimension of outer ring back face
a	50 mm	Distance between the apexes of the pressure cones
$d_1$	179.2 mm	Guidance rib diameter of inner ring

**Mounting dimensions**

$d_{a \text{ max}}$	142 mm	Maximum diameter of shaft shoulder
$d_{b \text{ min}}$	154 mm	Minimum diameter of shaft shoulder
$D_{a \text{ min}}$	209 mm	Minimum diameter of housing shoulder
$D_{b \text{ min}}$	217 mm	Minimum diameter of housing shoulder
$C_{a \text{ min}}$	7 mm	Minimum axial space
$C_{b \text{ min}}$	14 mm	Minimum axial space
$r_{a \text{ max}}$	6.4 mm	Maximum fillet radius of shaft
$r_{b \text{ max}}$	3.3 mm	Maximum fillet radius of housing

**Calculation factors**

e	0.37	Limiting value of $F_a/F_r$ for the applicability of diff. Values of factors X and Y
Y	1.62	Dynamic axial load factor
$Y_0$	0.89	Static axial load factor

**Temperature range**

$T_{\min}$	-30 °C	Operating temperature min.
$T_{\max}$	200 °C	Operating temperature max.