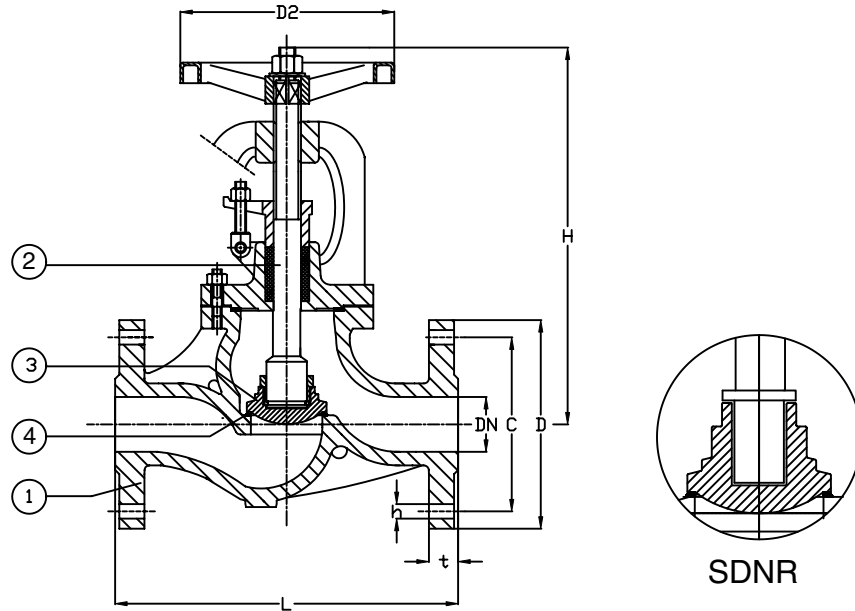


Series 2015 ... Regular
Series 2115 ... SDNR

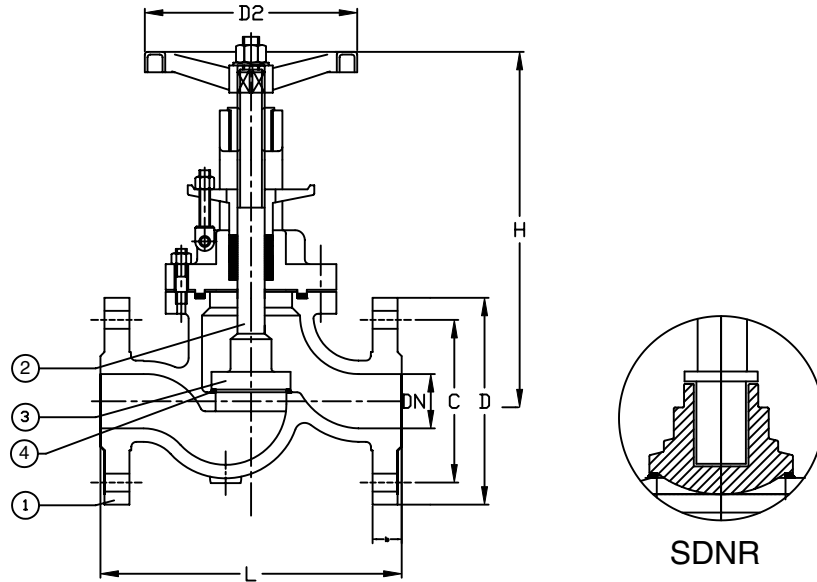


Face to Face according to ISO5752, Series 1
Flanges according to DIN2501-PN40

Part Nr.	Material	Code	Size DN	Nom. Pressure PN	Hydraulic Inspection	
					Body	Seat
1 - Body	Cast Steel	GSC-25N	15 to 175	40	60	40
2 - Stem	Stainless Steel	AISI 410				
3 - Disc	Stainless Steel	AISI 410	200 to 300	25	37.5	25
4 - Seat	Stainless Steel	AISI 410				

Size	L	D	C	No.	h	t	H	D2	Kg
15	130	95	65	4	14	16	160	100	4.4
20	150	105	75	4	14	18	165	100	5.7
25	160	115	85	4	14	18	190	125	6.8
32	180	140	100	4	18	18	200	125	8.3
40	200	150	110	4	18	18	225	150	11
50	230	165	125	4	18	20	260	150	16
65	290	185	145	8	18	22	280	200	27
80	310	200	160	8	18	24	320	200	31
100	350	235	190	8	22	24	375	250	48
125	400	270	220	8	25	26	415	250	58
150	480	300	250	8	25	28	460	300	86
175	550	350	295	12	30	32	550	420	132
200	600	375	320	12	30	34	570	420	160
250	730	450	385	12	33	38	750	500	360
300	850	515	450	16	33	42	900	575	480

Series 2017 ... Regular
Series 2117 ... SDNR

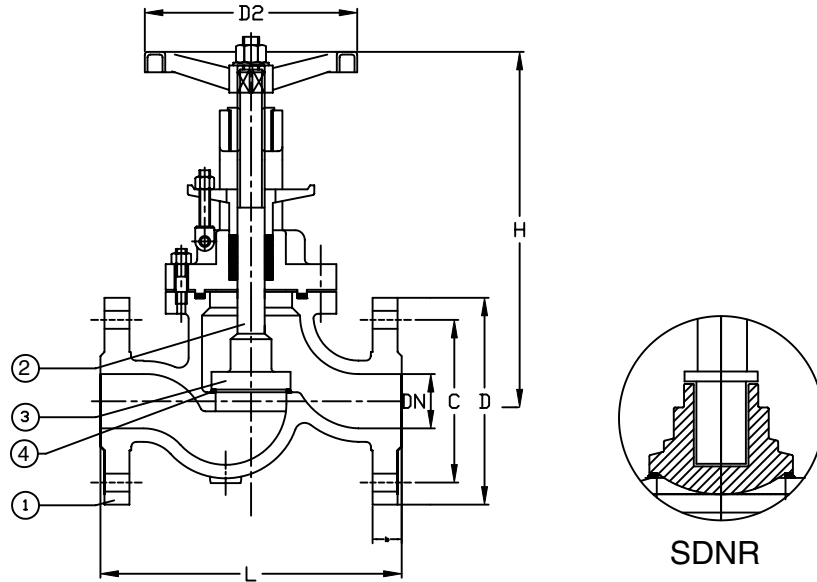


Face to Face according to ISO5752-F1
Flanges according to DIN2501-PN100

Part Nr.	Material	Code	Size DN	Nom. Pressure PN	Hydraulic Inspection	
					Body	Seat
1 - Body	Cast Steel	GSC-25N	15 to 150	100	150	100
2 - Stem	Stainless Steel	AISI 410				
3 - Disc	Stellited	HF				
4 - Seat	Stellited	HF				

Size	L	D	C	No.	h	t	H	D2	Kg
15	210	105	75	4	14	20	250	150	9
20	230	130	90	4	18	24	310	150	12.5
25	230	140	100	4	18	24	310	150	13
32	260	155	110	4	22	28	330	200	22.5
40	260	170	125	4	22	28	350	200	23
50	300	195	145	4	26	30	400	200	29
65	340	220	170	8	26	34	480	225	55
80	380	230	180	8	26	36	510	250	73
100	430	265	210	8	30	40	580	300	106
125	500	315	250	8	33	44	600	420	168
150	550	355	290	12	33	50	630	500	246

Series 2018 ... Regular
Series 2118 ... SDNR



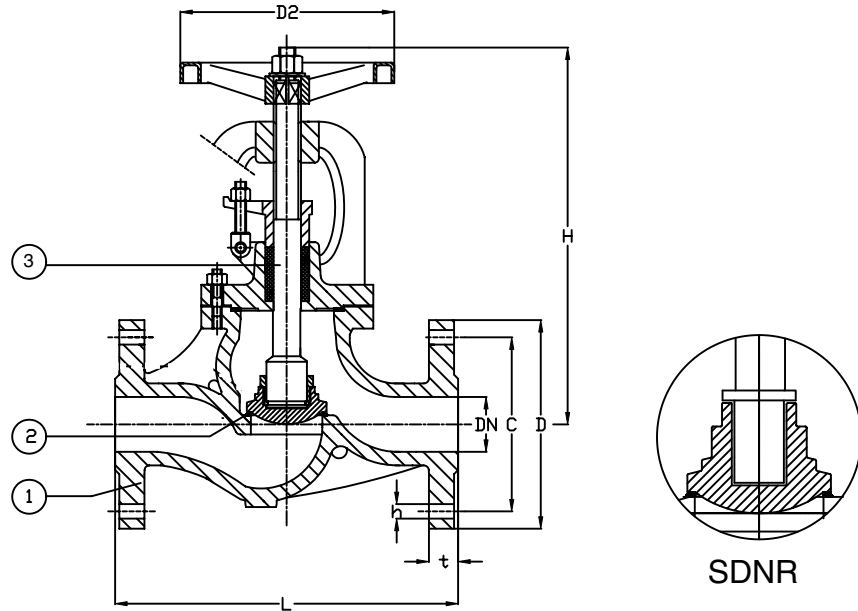
Face to Face according to ISO5752-F1
Flanges according to DIN2501-PN160

Part Nr.	Material	Code	Size DN	Nom. Pressure PN	Hydraulic Inspection	
					Body	Seat
1 - Body	Cast Steel Stainless Steel Stellited Stellited	GSC-25N AISI 410 HF HF	15 to 150	160	240	160

Size	L	D	C	No.	h	t	H	D2	Kg
15	210	105	75	4	14	20	250	150	9
20	230	130	90	4	18	24	310	150	12.5
25	230	140	100	4	18	24	310	150	13
32	260	155	110	4	22	28	330	200	22.5
40	260	170	125	4	22	28	350	200	23
50	300	195	145	4	26	30	400	200	29
65	340	220	170	8	26	34	480	225	55
80	380	230	180	8	26	36	510	250	73
100	430	265	210	8	30	40	580	300	106
125	500	315	250	8	33	44	600	420	168
150	550	355	290	12	33	50	630	500	246

Series 2022 ... Regular

Series 2122 ... SDNR



Face to Face according to ISO5752 Series 1

Flanges according to DIN2501-PN16

Part Nr.	Material	Code	Size DN	Nom. Pressure PN	Hydraulic Inspection	
					Body	Seat
1 - Body	Gunmetal	DIN 1705	15 to 175	16	25	16
2 - Disc	Gunmetal	DIN 1705				
3 - Stem	Brass	DIN 17672	200 to 300	10	16	10

Size	L	D	C	No.	h	t	H	D2	Kg
15	130	95	65	4	14	14	160	100	5
20	150	105	75	4	14	16	165	100	5.5
25	160	115	85	4	14	16	190	125	6
32	180	140	100	4	18	16	200	125	8
40	200	150	110	4	18	16	225	150	10
50	230	165	125	4	18	18	260	150	12
65	290	185	145	4	18	18	280	200	17
80	310	200	160	8	18	20	320	200	23
100	350	220	180	8	18	20	375	225	30
125	400	250	210	8	18	22	415	225	50
150	480	285	240	8	22	22	460	300	65
175	550	315	270	8	22	24	550	300	85
*200	600	340	295	8	22	24	570	420	110
*250	730	395	350	12	22	26	750	500	165
*300	850	445	400	12	22	28	900	500	295

*Flanges as per DIN PN10