

Terminal box



● Terminal box
This terminal box is available as a solenoid valve accessory for easy coil wiring of the solenoid valve.

Features

- Due to its design specific to solenoid valve coil connections, this terminal box is ideal for power supply connections.
- A model equipped with an indicator lamp to enable checking of the ON-OFF of the power supply from the outside is also available.
- The marine cable gland can be connected as is.

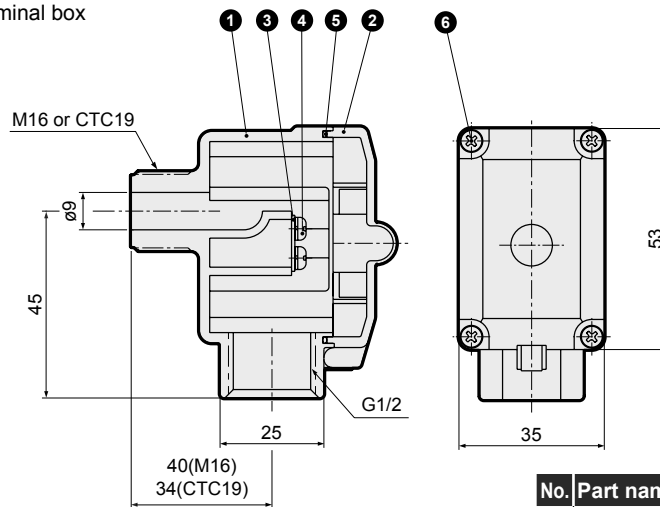
Type and specifications of terminal box

| Item Type | Terminal count | Existence of indicator lamp | Power supply | Screw size | |
|-----------------|----------------|-----------------------------|--|------------|------|
| | | | | A | B |
| HP terminal box | 3P | Without indicator lamp | AC/DC power supply shared | M16 | G1/2 |
| | | | Rating of 400 V, 10 A or less | CTC19 | G1/2 |
| | | With indicator lamp | For AC/DC power supply (with neon light) | M16 | G1/2 |
| | | | Rating 100/200 VAC 100/200 VDC / 1A | CTC19 | G1/2 |
| | | | For DC power supply (with LED) | M16 | G1/2 |
| | | | Rating 24 VDC 6.3 mA | CTC19 | G1/2 |

* Contact a CKD sales representative for details regarding models

Dimensions and internal structure

- HP terminal box



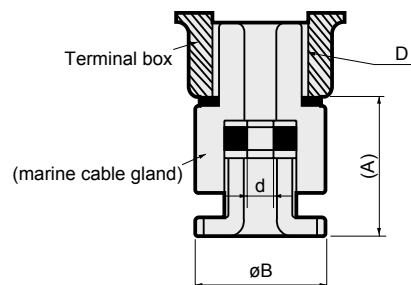
| No. | Part name | Material |
|-----|---------------|----------|
| 1 | Body | PA |
| 2 | Cover | PA |
| 3 | Terminal | C2680 |
| 4 | Wiring thread | SS |
| 5 | Gasket | NBR |
| 6 | Fixing screw | SS |

Marine cable gland



When water proof wiring port is required for solenoid valve with terminal box, marine cable gland should be used.

Dimensions



*1 : Dimensions with * are provided for reference.

*2 : Select the model based on dimension D (selection based on terminal box screw size) and dimension d (selection based on wiring cable size).

| Model No. | A * | B | D | d |
|-----------|-----|----|------|----|
| A-15a | 39 | 28 | G1/2 | 9 |
| A-15b | 39 | 28 | G1/2 | 10 |
| A-15c | 39 | 28 | G1/2 | 11 |
| A-20a | 43 | 34 | G3/4 | 12 |
| A-20b | 43 | 34 | G3/4 | 13 |
| A-20c | 43 | 34 | G3/4 | 15 |