

# 86R-100 SERIES

## Stainless Steel 3-Piece Full Port Ball Valve With Actuator Ready ISO Mounting Pad 3"

Full Port Threaded, 800 CWP (psig), Cold Non-Shock. 150 psig Saturated Steam.  
 Vacuum Service to 29 inches Hg.  
 MSS SP-110 compliant.  
 Meets NACE MR0175 (2000) & MR0103 (2012)



### FEATURES

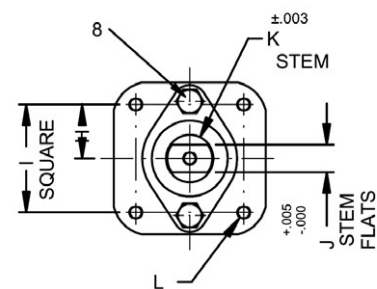
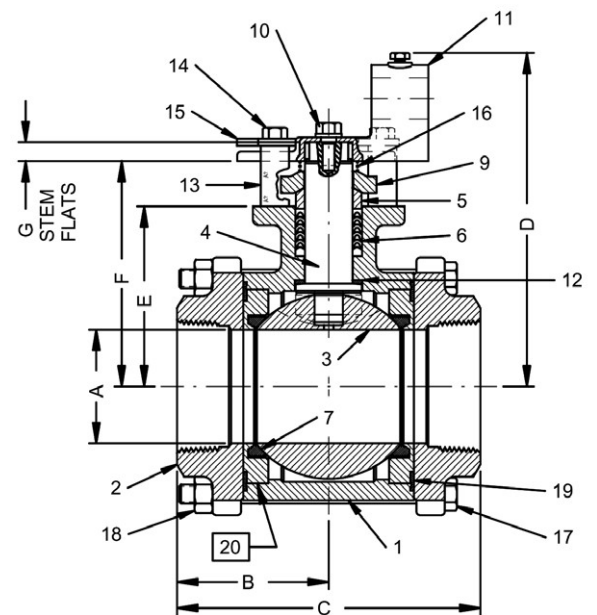
- Multi-piece packing set
- ISO 5211 mounting pad
- Blow-out-proof stem design
- In-line repairable
- Adjustable packing gland
- Investment cast components
- Reinforced seats and seals
- Full port configuration

### OPTIONS AVAILABLE: (More information in Section J)

(SUFFIX)	OPTION	SIZES
-01	Standard Configuration	All
-02-	Static Grounded	3"
-14-	Vented Ball	3"
-24-	Graphite Stem Packing (not fire safe)	3"
-35-	PTFE Trim	3"
-49-	Assembled Dry	3"
-57-	Oxygen Cleaned	3"
-60-	Grounded Ball & Stem	3"
-63-	Threaded x Socket Weld	3"

### STANDARD MATERIAL LIST

PART	MATERIAL	
1	Body	ASTM A351-CF8M
2	End Caps (2)	ASTM A351-CF8M
3	Ball	316 SS
4	Stem	A276-316
5	Packing Gland	316 SS
6	Stem Seal	MPTFE
7	Seats (2)	RPTFE
8	Gland Screws (2)	Stainless Steel
9	Gland Plate	Stainless Steel
10	Adapter Screw	Stainless Steel
11	Handle Adapter	Stainless Steel
12	Stem Bearing	RPTFE
13	Stops (2)	Stainless Steel
14	Stop Screws (2)	Stainless Steel
15	Lock Plate	Stainless Steel
16	Grounding Spring	Stainless Steel
17	Body Bolts (6)	Stainless Steel
18	Heavy Hex Nuts (6)	Stainless Steel
19	Body Seals (2)	RPTFE
20	Seat Holders (2)	Stainless Steel
21	Pipe Handle	(not shown)



**FOR PRESSURE/TEMPERATURE RATINGS, REFER TO PAGE M-12, GRAPH NO. 8**

PRODUCT NUMBER	SIZE	A	B	C	D	E	F	G	H	I	J (FLATS)	K	L (THRDS.)UNF
86R-100-01	3"	3.00	4.00	8.00	8.80	4.75	5.94	0.50	1.420	2.840	0.725	1.250	3/8-16

