

Model 77/1000FG*

Maximum Rated Flow 9.48 gpm (36 lpm)


Port Size: 1" NPT

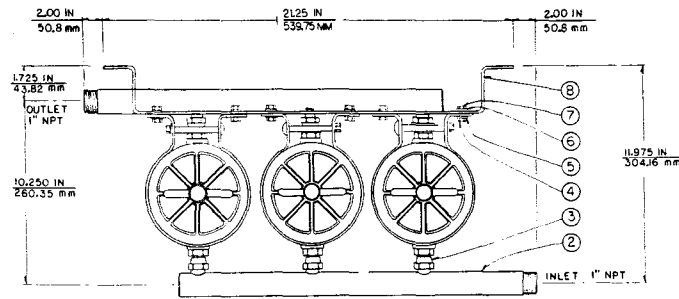
See Page 7 for Individual Model 1000FG Parts List.

Parts Diagram

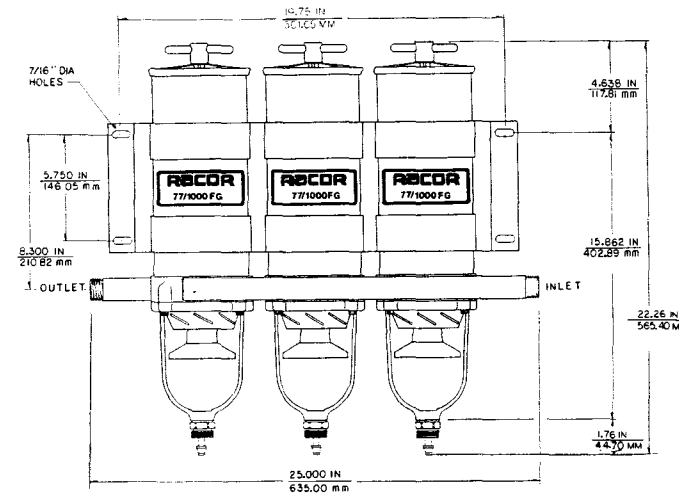
Parts List

Item	Part No.	Qty	Description
1	1000FG	3	Filter/Separator
2	11076	2	1" Manifold
3	11071	6	Fittings
4	11078	12	3/8" Hex-Bolt
5	11080	12	3/8" Washer-Flat
6	11102	12	3/8" Washer-Lock
7	11079	12	3/8" Hex-Nut
8	18998	1	Triple Bracket

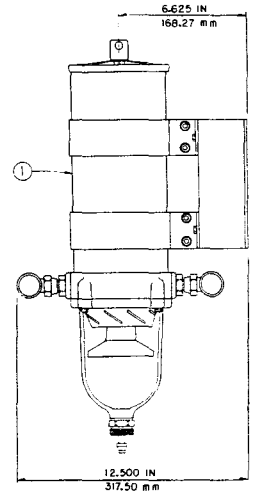
*For  listed applications, order model 77/1000MA.



Top View



Front Section View



Side View

Model 79/1000FG*

Maximum Rated Flow 3.16-6.32-9.48 gpm (12-24-36 lpm)


Port Size: 1" NPT

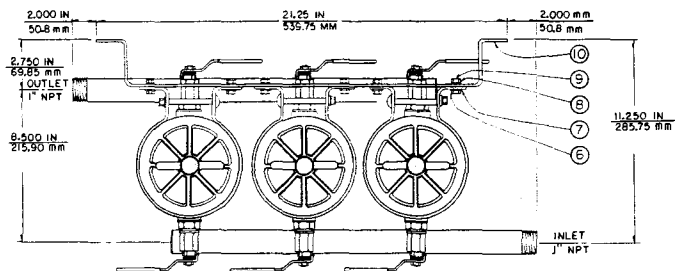
*Valve permit servicing under continuous operation. See Page 7 for individual Model 1000FG Parts List.

Parts Diagram

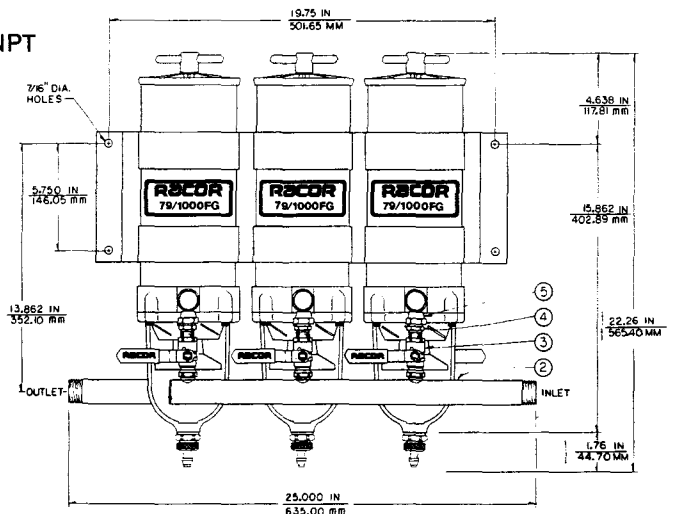
Parts List

Item	Part No.	Qty	Description
1	1000FG	3	Filter/Separator
2	11076	2	1" Manifold
3	11073	6	Ball Valve Assm. - 1/2" NPT
4	11074	6	Strt. Ftg. - 1/2" NPT x 1/2"-14 NPSM
5	11072	6	Elbow Fitting
6	11078	12	3/8" Hex-Bolt
7	11080	12	3/8" Washer-Flat
8	11102	12	3/8" Washer-Lock
9	11079	12	3/8" Hex-Nut
10	18998	1	Triple Bracket

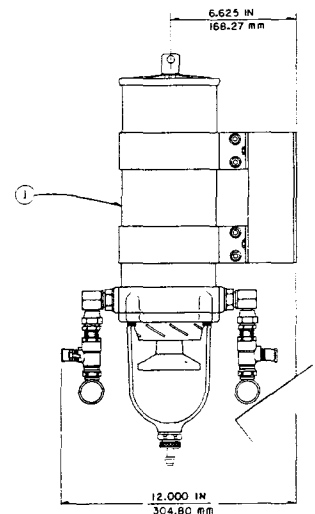
*For  listed applications, order model 79/1000MA.



Top View



Front Section View



Side View

Valves shown in closed position.